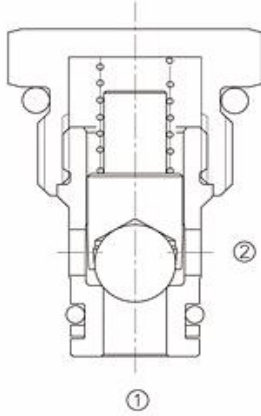


Direkt-Hareketli,Popet-Tip,Kartriç Çekvalf

LCV-08-B



Direct-Acting, Ball-Type Cartridge Check Valve

OPERATION

Pressure at ① overcomes the spring-bias ball and allows free flow to ②
Flow in the opposite direction, from ② to ①, is blocked by the ball.

FEATURES

- ball for positive shut-off.
- Low leakage .
- Industry common cavity.
- Compact size.

ÖZELLİKLER

- Uzun ömür için sertleştirilmiş hassas popet ve yuva
- Düşük sızıntı
- Endüstriyel standartlarda kavite
- Kompakt boyut

SYMBOL



SPECIFICATIONS

Operating Pressure : 250 Bar

Flow : See PRESSURE DROP VS. FLOW graph.

Internal Leakage : 3 drops/min. max. at 250 Bar

Crack Pressures : 0.3=0.3Bar

0.7=0.7Bar

2.1=2.1Bar

6.9=6.9Bar

Temperature : -30°F to +250°F (-35°C to +120°C)

Recommended Filtration: Critical Application – ISO 16/12

Non-Critical Application – ISO 19/15

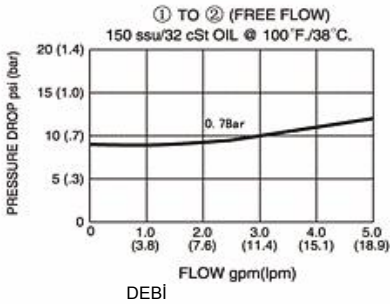
Fluids: Mineral-based fluids.

For other fluid compatibility, consult factory.

Cavity : 08-2, see page 264

Body Material : Anodized 6061T6 aluminum alloy rated at 207 Bar.

PRESSURE DROP VS. FLOW



BASINÇDÜŞÜMÜ (bar)

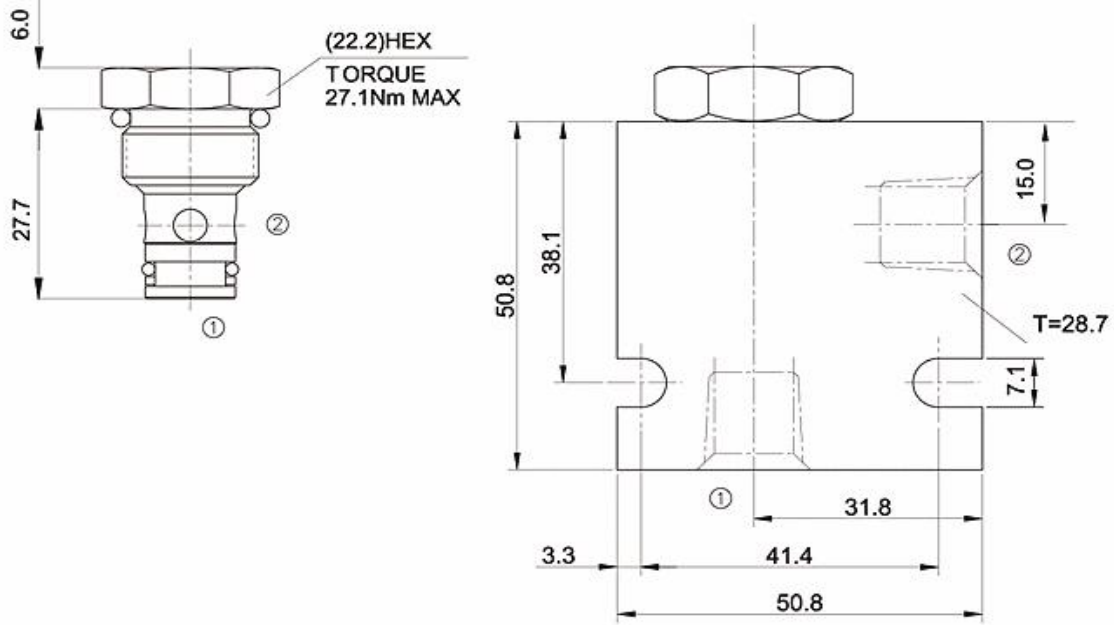
Hidrosam Hidropar Hidrolik Pnömatik Elektrik San.Tic. Ltd
Alaaddinbey mah. 623 sok. Şam 1 plaza B blok No:2/d Nilüfer/BURSA TURKEY

Tel:+90224 441 8877 Fax:+90224 441 0333

info@hidrosam.com www.hidrosam.com

YERLEŞTİRME ÖLÇÜLERİ

INSTALLATION DIMENSIONS



Unit=Millimeters

TO ORDER

