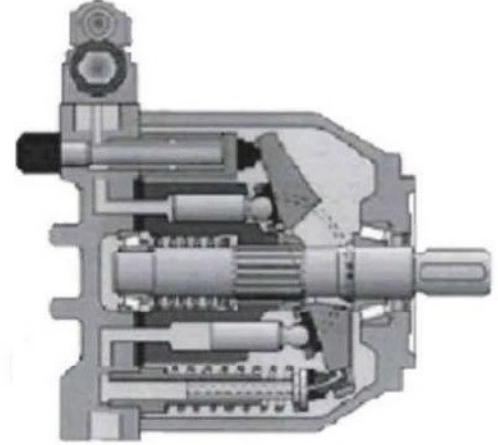


DEXTER A10VO/VSO VARIABLE DISPLACEMENT PUMP



Performance Data

DEXTER A10VO/VSO Size 28,45 and 71 Series 31

	28	1.71 CU.IN	45	2.75 CU.IN	71	4.33 CU.IN	100	6.10 CU.IN
PRESSURE	4000 PSI	280 BAR	3600 PSI	280 BAR	4000 PSI	280 BAR	4000 PSI	280 BAR
PEAK PRESSURE	5100 PSI	350 BAR	4600 PSI	315 BAR	5100 PSI	350 BAR	5100 PSI	350 BAR
MAX. FLOW	21.5 GPM	81 LITERS	30 GPM	131 LITERS	40 GPM	152 LITERS	52 GPM	197 LITERS
MAX SPEED	3000 RPM		2600 RPM		2200 RPM			2000 RPM

Precision built and totally interchangeable

Variable displacement axial piston pumps are designed for open loop hydraulic systems. Flow is proportional to the drive speed. By adjusting the position of the swash plates it is possible to smoothly vary the flow

Features include:

- * Maximum Stop Adjustment
- * Long Service Life
- * Low noise level
- * Wide range of controls
- * SAE mounting flange and shaft
- * Flange connection SAE
- * 2 case drain connections
- * Continuous operation pressure of 4000psi(280 bar)

A10VO/VSO Değişken Debili Pistonlu Pompa A10VO/VSO Variable Displacement Pump

A10VS O 71 DFR / 31 R P S C 62 NOO	
Description	
A10V /31	Swashplate desing variable, normal pressure 280 bar (4000 psi), peak presure 350 bar (5100 psi)
A10VS/31	Swashplate desing variable,c/w max flow adj. Industrial applications normal pressure 280 bar (4000 psi), peak pressure 350 bar (5100 psi)
O	Mode of opertion (Pump open circuit)
28	Flow Vg max=28 cm (cu.in. 1.71)
45	Flow Vg max=45 cm (cu.in. 2.75)
71	Flow Vg max=71 cm (cu.in. 4.33)
100	Flow Vg max=100 cm (cu.in. 6.10)
DFR	Pressure and flow controller
DFR1	Pressure and flow controller X port plugged
DR	Pressure Control
DRG	Remote Pressure Controller
DFLR	Pressure Flow and Power Contrc
31	Series 31
31	Series 52
R	Right (clockwise rotation)
L	Left (counter clockwise rotation)
P	Buna-N
V	FPM (fluorocarbon)
P	71 series Metric keyed shaft (DIN 6885) 32mm
K	71 series SAE keyed shaft (1.125 dia)
C	71 series Spline shaft (14 tooth cat.type)
S	71 series SAE spline shaft (14 tooth -1.25C)
P	45 series Metric keyed shaft (DIN 6885) 25mm
S	45 series SAE spline shaft (15 tooth - 1)
U	45 series SAE spline shaft (13 tooth - .875)
K	45 series SAE keyed shaft (1"dia)
R	45 series SAE spline shaft reinforced for through drive torques
P	28 series Metric keyed shaft (DIN 6885) 22mm
S	28 series SAE spline shaft (13 tooth - .875)
K	28 series SAE spline shaft (.875 dia)
R	28 series SAE spline shaft reinforced for through drive torques
P	100 series Metric keyed shaft (DIN 6885) 40mm
K	100 series SAE keyed shaft 1.5
U	100 series SAE spline shaft (14 tooth - 1.250)
S	100 series SAE spline shaft (-1.5)
W	100 series SAE spline shaft reinforced for through drive (14 tooth 1.25
Through-Drive	
K01	82-2 SAE A mounting
K02	101-2 SAE B pilot mounting
K03	SEA B bolt
K04	101-2 SEA B mounting
K06	101-2 SEA B mounting
K07	127-2 SEA C mounting
K08	SAE C 2 bolt mounting
K40	SAE A 2 bolt mounting
K52	82-2 SAE A mounting
K68	101-2 SAE B mounting
Connection	
11	28 series Rear port flange metric mounting screw
12	28 series Side port flange metric mounting screw
61	28 series Rear port flange U.N.C. mounting screws
62	28 series Side port flange U.N.C. mounting screws
11	45 series Rear port flange metric mounting screws
12	45 series Side port flange metric mounting screws
61	45 series Rear port flange U.N.C. mounting screw
62	45 series Side port flange U.N.C. mounting screw
12	71 series Rear port flange metric mounting screws
62	71 series Side port flange U.N.C. mounting screw
41	71 series Rear port flange metric mounting screws
42	71 series Side port flange metric mounting screws
91	71 series Rear port flange U.N.C. mounting screw
92	71 series Side port flange U.N.C. mounting screw
12	100 series Side port flange metric mounting screws
62	100 series Side port flange U.N.C. mounting screw
41	100 series Rear port flange metric mounting screw
42	100 series Side port flange metric mounting screws
91	100 series Rear port flange U.N.C. mounting screws
92	100 series Side port flange U.N.C. mounting screws
Mounting	
A	ISO 2- hole mounting
C	SAE2- hole mounting

A10VO/VSO Değişken Debili Pistonlu Pompa A10VO/VSO Variable Displacement Pump

Noise level

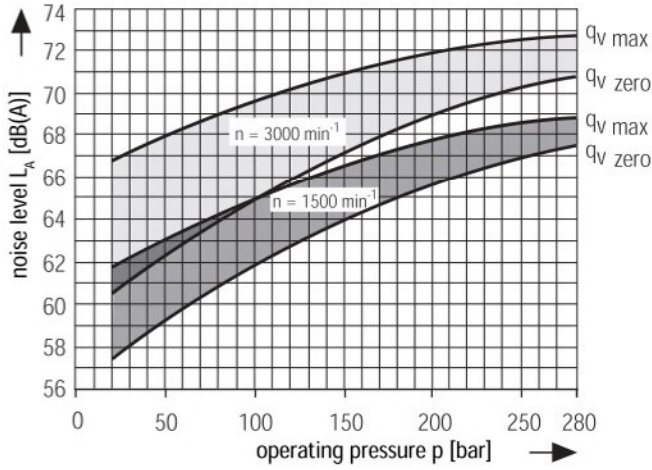
Measured in an anechoic chamber

Distance from microphone to pump = 1 m

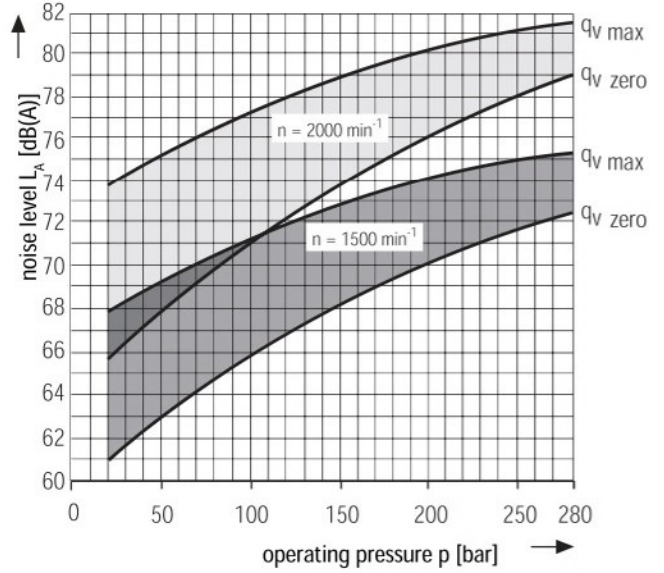
Measuring error: ± 2 dB (A)

(Fluid: Hydraulic oil to ISO VG 46 DIN 51519, $t = 50^\circ$ C)

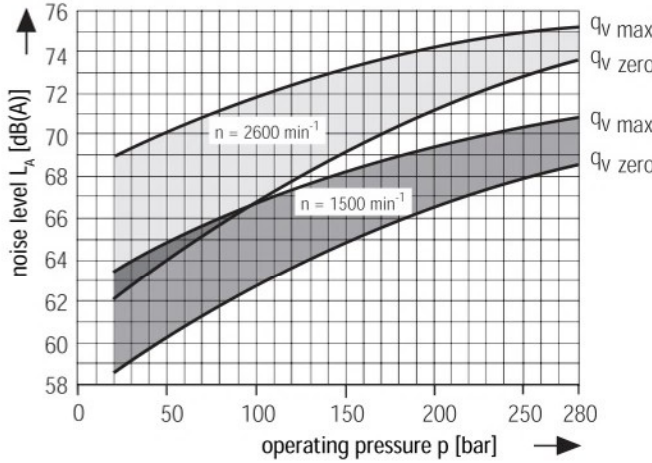
Size 28



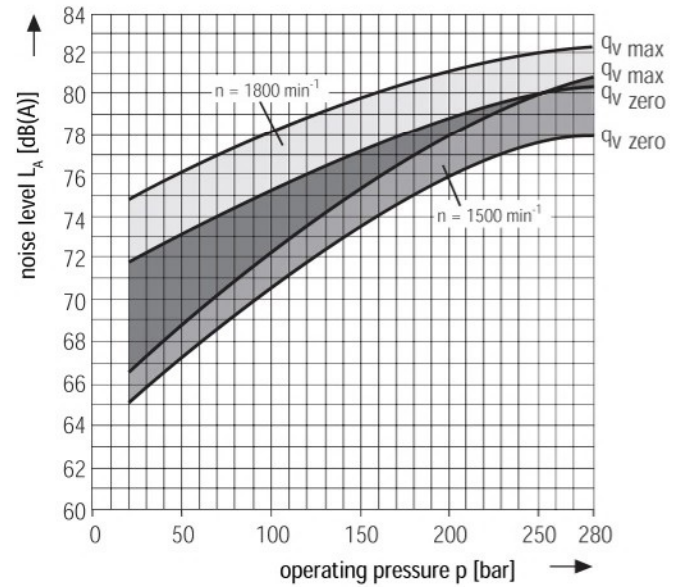
Size 100



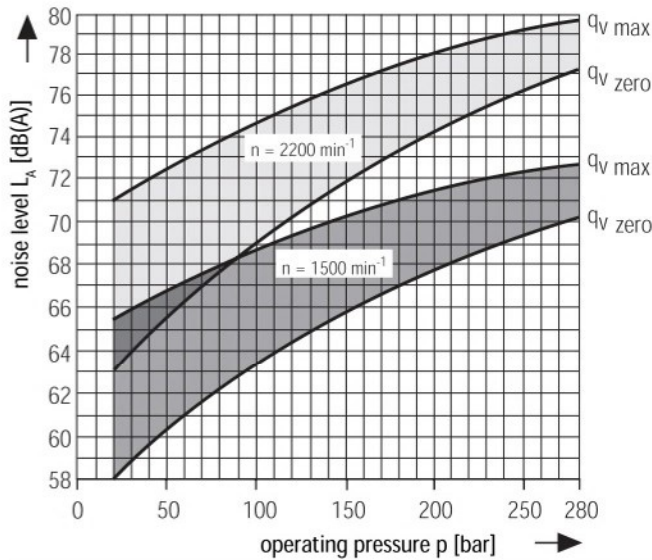
Size 45



Size 140



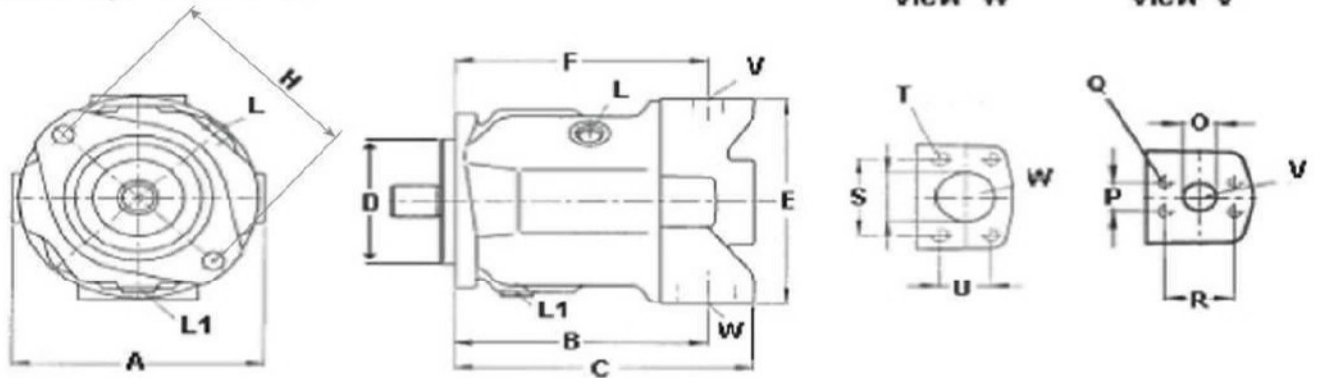
Size 71



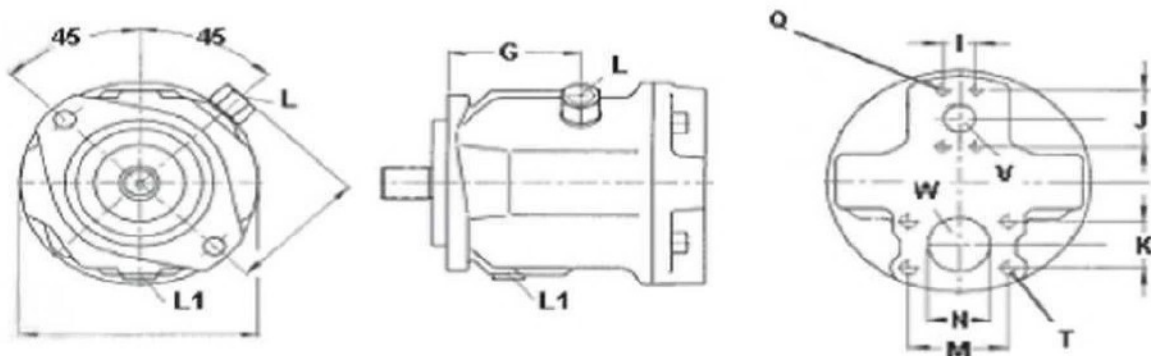
A10VO/VSO Değişken Debili Pistonlu Pompa
A10VO/VSO Variable Displacement Pump

Unit Dimension / for A10VO (splined shaft)

Service ports on sides



Service ports at rear



L = Case Drain Port

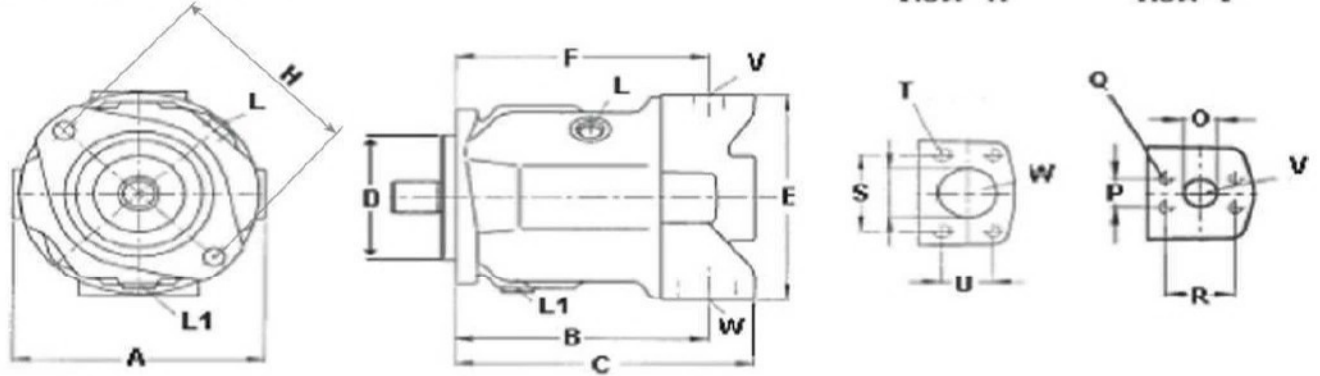
Splined Shaft

	28		45		71		100	
A	6.22	158	7.13	181	8.07	205	9.29	236
B	6.48	164.5	7.24	184	8.54	217	10.83	275
C	7.64	194	8.62	219	10.12	257	12.48	317
D	4	101.6	4	101.6	5	127	5	127
E	6.3	160	7.08	180	8.18	208	7.88	200
F	6.48	164.5	7.24	184	8.54	217	10.83	275
G	3.54	90	3.78	96	4.53	115	6.89	175
H	5,748	146	5,748	146	7,126	181	7,126	181
I	0.87	22.2	1.03	26.2	1.03	26.2	1.25	31.8
J	1.87	47.6	2.06	52.4	2.06	52.4	2.63	66.7
K	1.19	30.2	1.4	35.7	1.69	42.9	2	50.8
L	3/4-16-UNF	M18 x 1.5	7/8-14 UNF		7/8-14 UNF		1 1/6-12 UNF	
M	2.31	58.7	2.75	69.9	3.06	77.8	3.5	88.9
N	1.25	32	1.57	40	1.97	50	2.36	60
O	0.79	20	0.98	25	0.98	25	1.26	32
P	0.87	22.2	1.03	26.2	1.03	26.2	1.25	31.8
Q	3/8-16 UNC-2B		3/8-16 UNC-2B		3/8-16 UNC-2B			
R	0.87	47.6	2.06	52.4	2.06	52.4	2.63	66.7
S	2.31	58.7	2.75	69.9	3.06	77.8	3.5	88.9
T	7/16 UNC-2B		1/2-13 UNC-2B		1/2-13 UNC-2B			
U	1.19	30.2	1.4	35.7	1.69	42.9	2	50.8
V	0.79	20	0.98	25	0.98	25	1.26	32
W	1.25	32	1.57	40	1.97	50	2.36	60

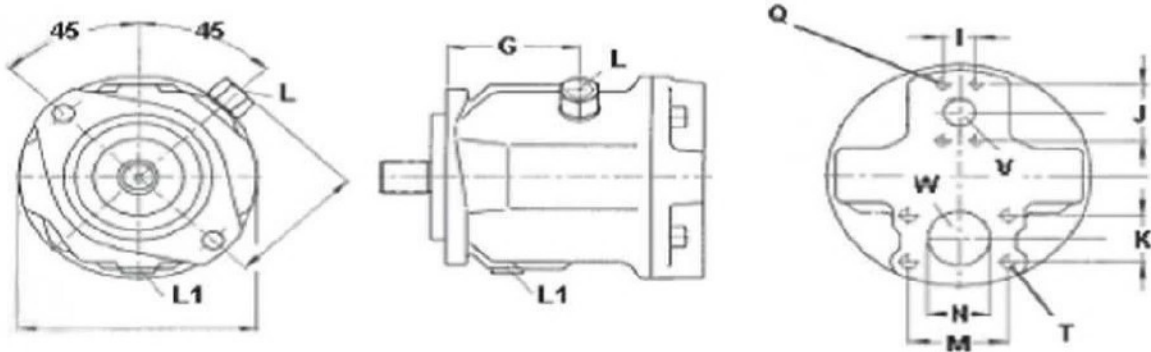
A10VO/VSO Değişken Debili Pistonlu Pompa
A10VO/VSO Variable Displacement Pump

Unit Dimension / for A10VSO (keyed shaft)

Service ports on sides



Service ports at rear



L = Case Drain Port

Keyed Shaft

	28		45		71		100	
A	6.22	158	7.13	181	8.07	205	9.29	236
B	6.48	164.5	7.24	184	8.54	217	10.83	275
C	7.64	194	8.62	219	10.12	257	12.48	317
D	3,937	100	3,937	100	4,921	125	4,921	125
E	6.3	160	7.08	180	8.18	208	7.88	200
F	6.48	164.5	7.24	184	8.54	217	10.83	275
G	3.54	90	3.78	96	4.53	115	6.89	175
H	5,512	140	5,512	140	7,087	180	7,087	180
I	0.87	22.2	1.03	26.2	1.03	26.2	1.25	31.8
J	1.87	47.6	2.06	52.4	2.06	52.4	2.63	66.7
K	1.19	30.2	1.4	35.7	1.69	42.9	2	50.8
L	3/4-16-UNF	M18 x 1.5	7/8-14 UNF		7/8-14 UNF		1 1/6-12 UNF	
M	2.31	58.7	2.75	69.9	3.06	77.8	3.5	88.9
N	1.25	32	1.57	40	1.97	50	2.36	60
O	0.79	20	0.98	25	0.98	25	1.26	32
P	0.87	22.2	1.03	26.2	1.03	26.2	1.25	31.8
Q	3/8-16 UNC-2B		3/8-16 UNC-2B		3/8-16 UNC-2B			
R	0.87	47.6	2.06	52.4	2.06	52.4	2.63	66.7
S	2.31	58.7	2.75	69.9	3.06	77.8	3.5	88.9
T	7/16 UNC-2B		1/2-13 UNC-2B		1/2-13 UNC-2B			
U	1.19	30.2	1.4	35.7	1.69	42.9	2	50.8
V	0.79	20	0.98	25	0.98	25	1.26	32
W	1.25	32	1.57	40	1.97	50	2.36	60