

SOĞUTUCU

HAVALI SOĞUTUCULAR

40..M

4010 M



MAXTOR SULU SOĞUTUCULARI

MAXTOR SULU SOĞUTUCULARI	$\Delta T=20\text{ }^{\circ}\text{C}$ de	$\Delta T=30\text{ }^{\circ}\text{C}$ de	Maks. Yağ	Maks. Basınç	Yağ-Su bağlantı	Fiyat
	soğutma kcal/saat	kcal/saat	debisi lt/dak	Bar	Ölçüsü	EU/Ad
4010 M 24VDC	937	1.387	40	24	1/2" BSP	
4010 M 220VAC	937	1.387	40	24	1/2" BSP	

4010 M



4015/20M-24V



4015 M 24VDC	2.325	4.050	80	24	1" BSP	
4015 M 220VAC	2.325	4.050	80	24	1" BSP	
4020 M 24VDC	3.000	4.500	100	24	1" BSP	
4020 M 220VAC	3.000	4.500	100	24	1" BSP	

4015/20M-220AC



4024-24V



4024 M 24VDC	5.650	8.450	120	24	1" BSP	
4024 M 220VAC	5.650	8.450	120	24	1" BSP	
4024 M 230-400VAC 3 FAZ	5.650	8.450	120	24	1" BSP	

4024-220AC



4030-24V



4030 M 24VDC	7.875	12.000	140	24	1" BSP	
4030 M 220VAC	7.875	12.000	140	24	1" BSP	
4030 M 230-400VAC 3 FAZ	7.875	12.000	140	24	1" BSP	
4040 M 24VDC	10.000	15.000	160	24	1 1/4" BSP	
4040 M 220VAC	10.000	15.000	160	24	1 1/4" BSP	
4040 M 230-400VAC 3 FAZ	10.000	15.000	160	24	1 1/4" BSP	

4030-220AC



4050-24V



4050 M 24VDC 4 FANLI	13.500	20.000	180	24	1 1/4" BSP	
4050 M 220VAC	13.500	20.000	180	24	1 1/4" BSP	
4050 M 230-400VAC 3 FAZ	13.500	20.000	180	24	1 1/4" BSP	

4050-220AC



4030-40 2M-24V



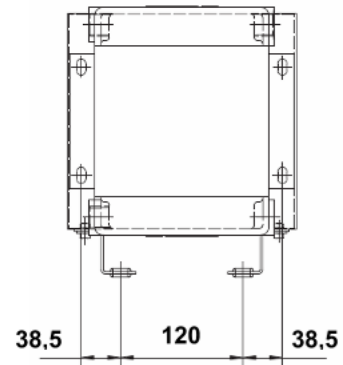
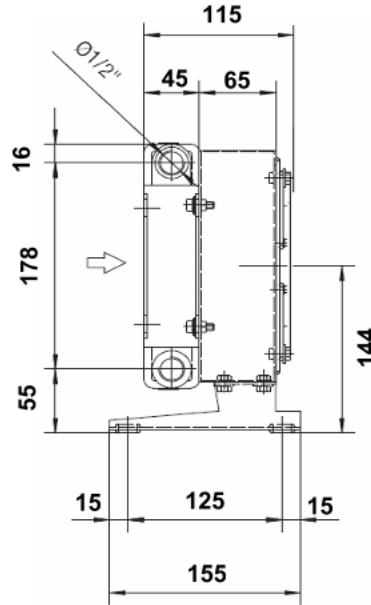
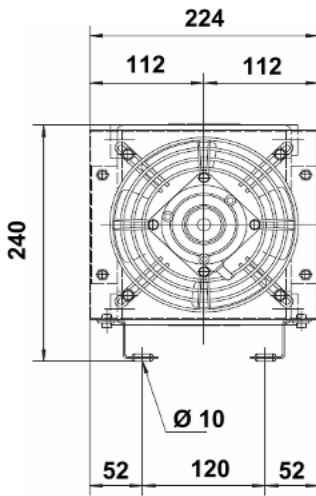
4030 2MS ÇİFT FANLI 24VDC	15.500	23.460	260	24	1 1/4" BSP	
4030 2MS ÇİFT FANLI 220VAC	15.500	23.460	260	24	1 1/4" BSP	
4040 2MS ÇİFT FANLI 24VDC	19.375	29.375	320	24	1 1/2" BSP	
4040 2MS ÇİFT FANLI 220VAC	19.375	29.375	320	24	1 1/2" BSP	

4030-40 2M-220AC

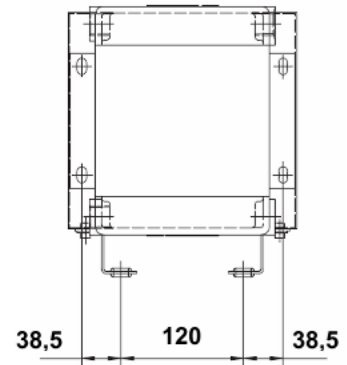
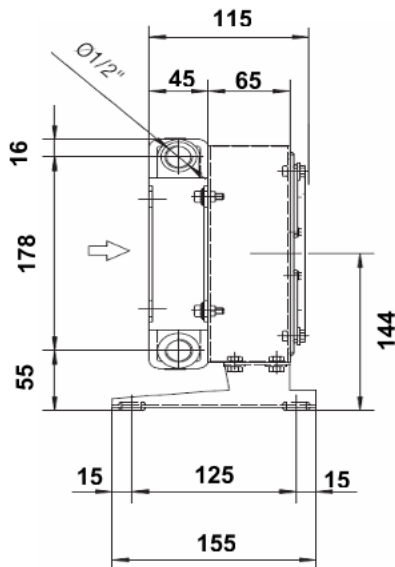
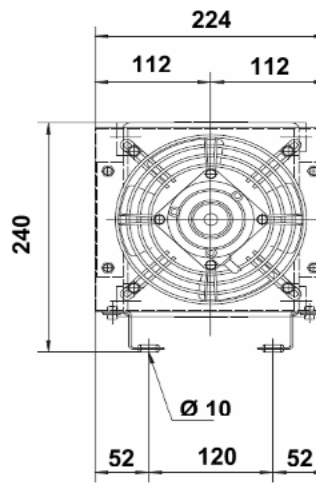


Soğutucuların test basıncı 36 bardır !!! - İtalyan IMIT TC2 AYARLANABİLİR Termostat Standart olup fiyata dahildir !!!

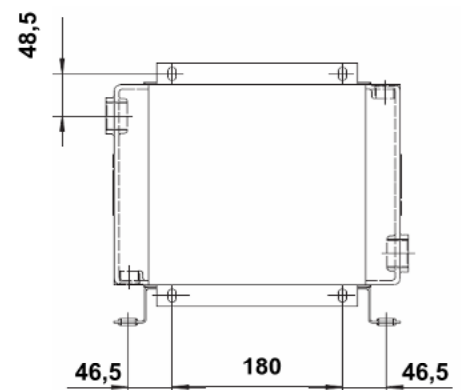
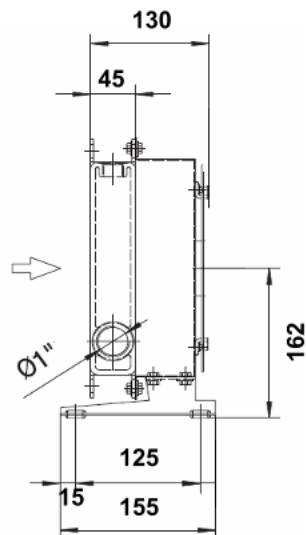
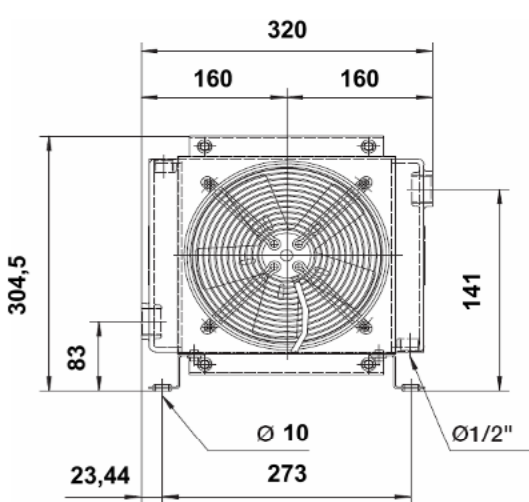
4010 24 V



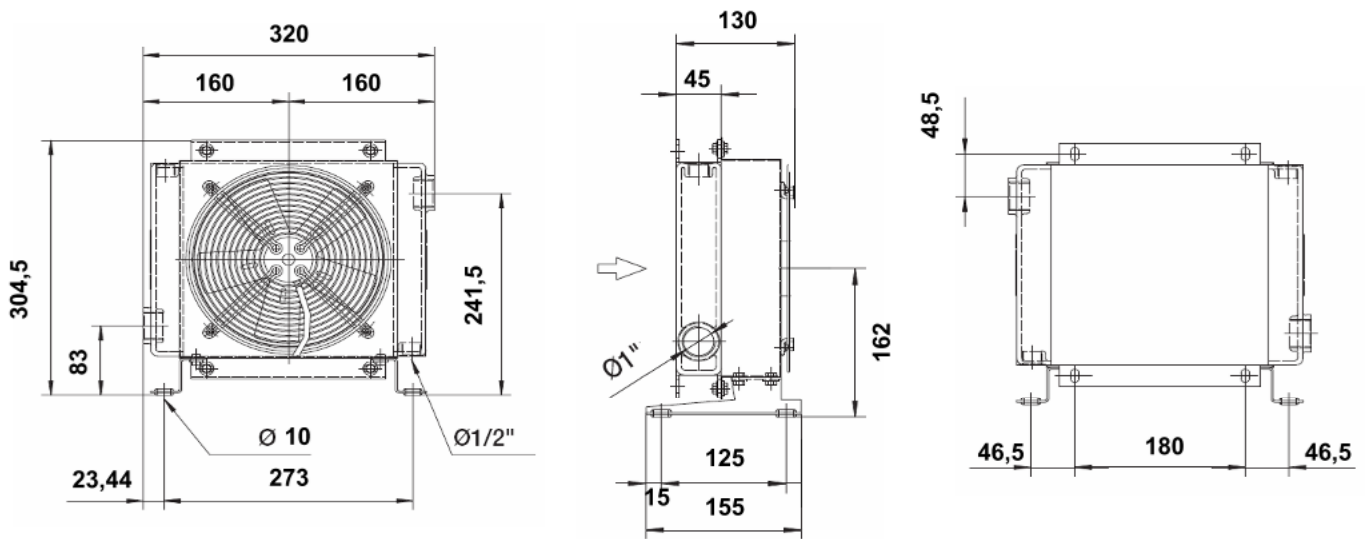
4010 220 V



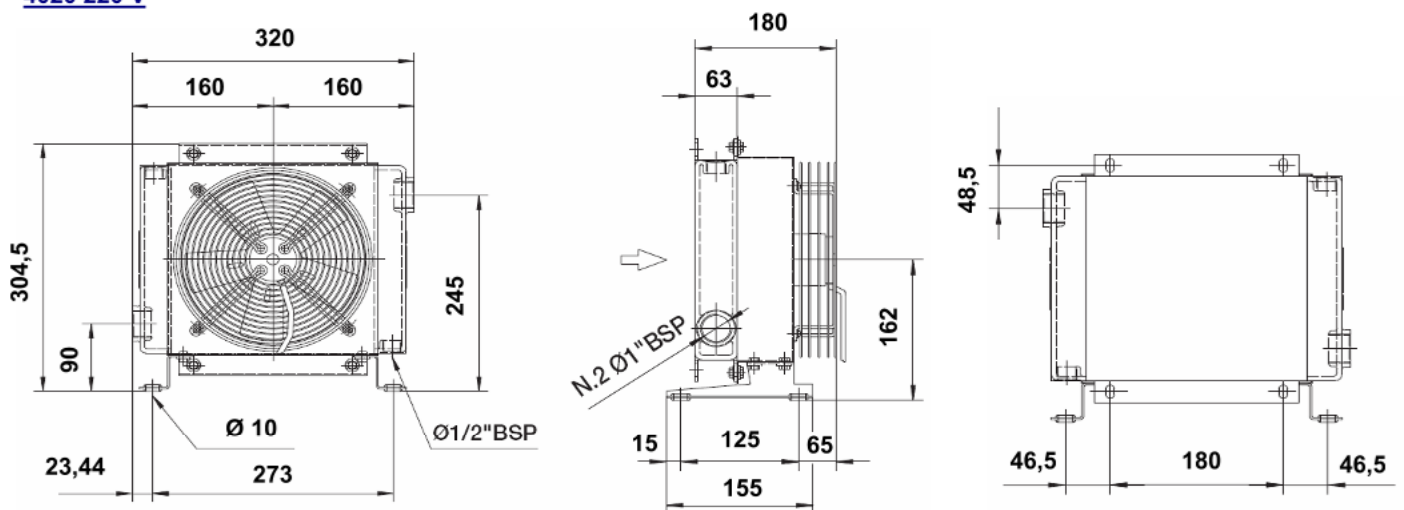
4015 24 V



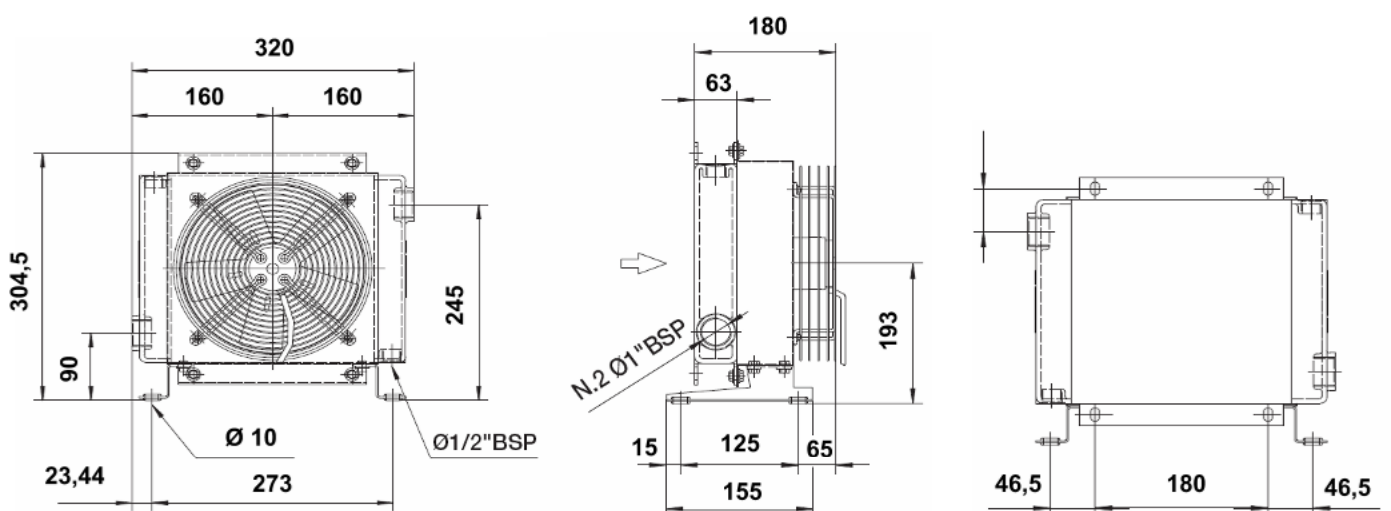
4015 220 V



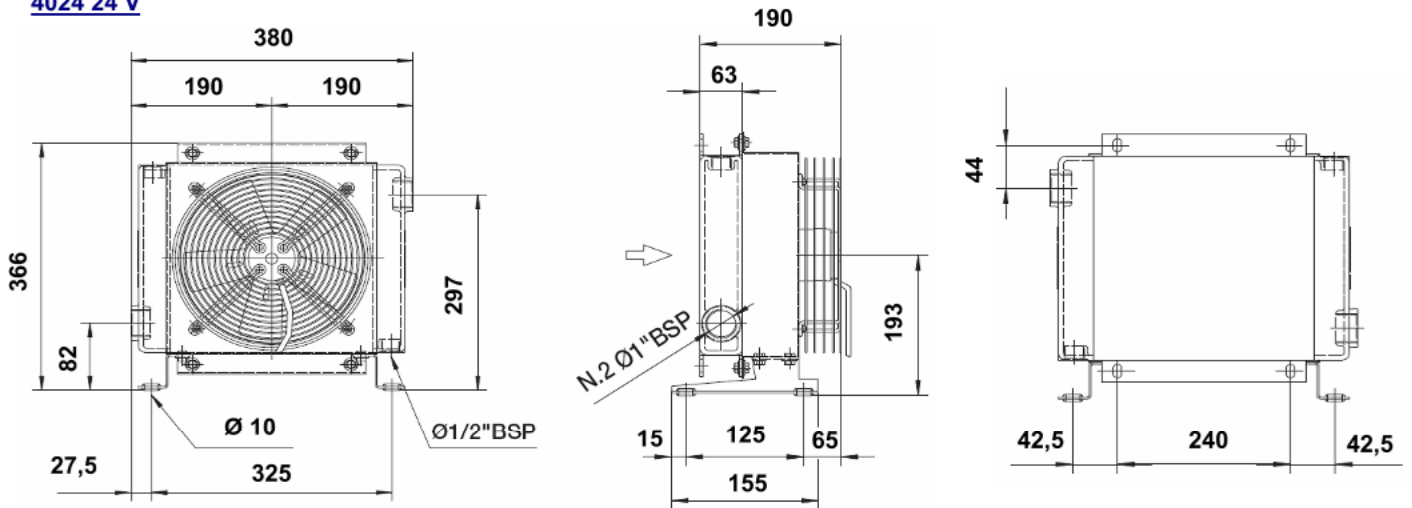
4020 220 V



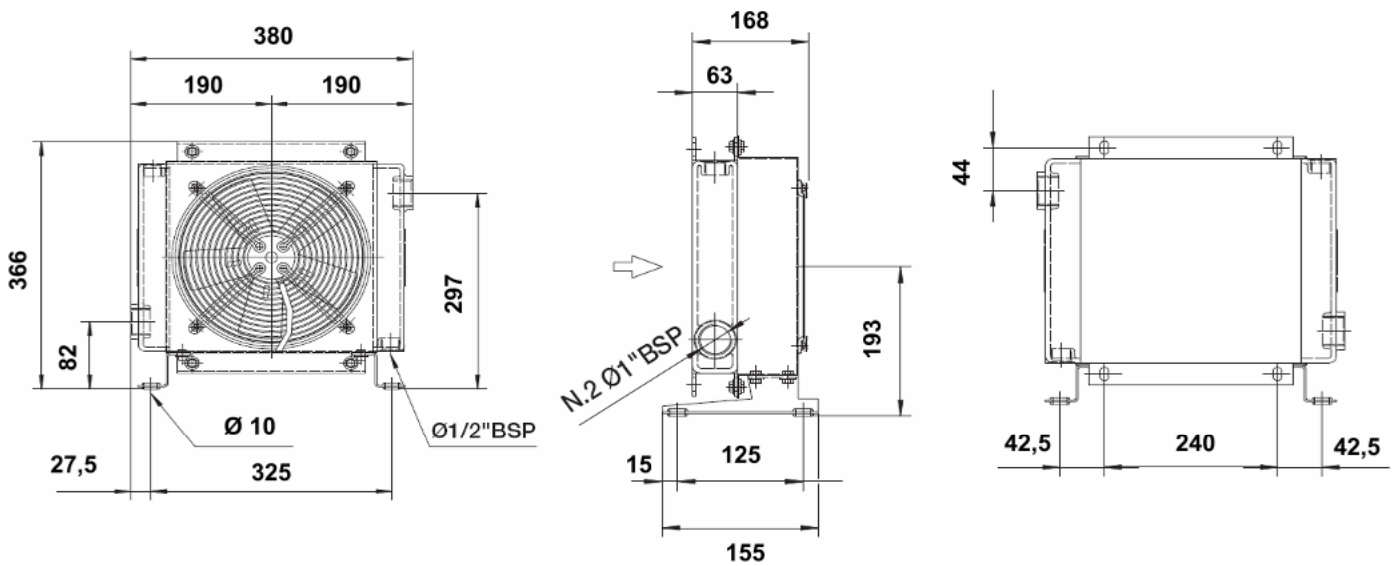
4020 24 V



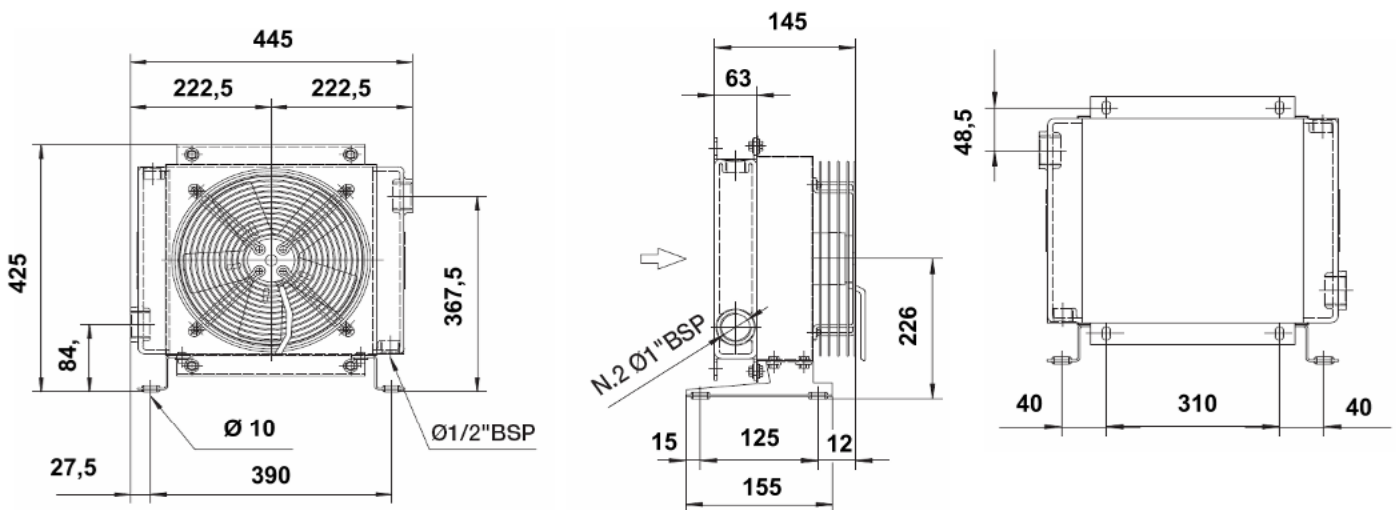
4024 24 V



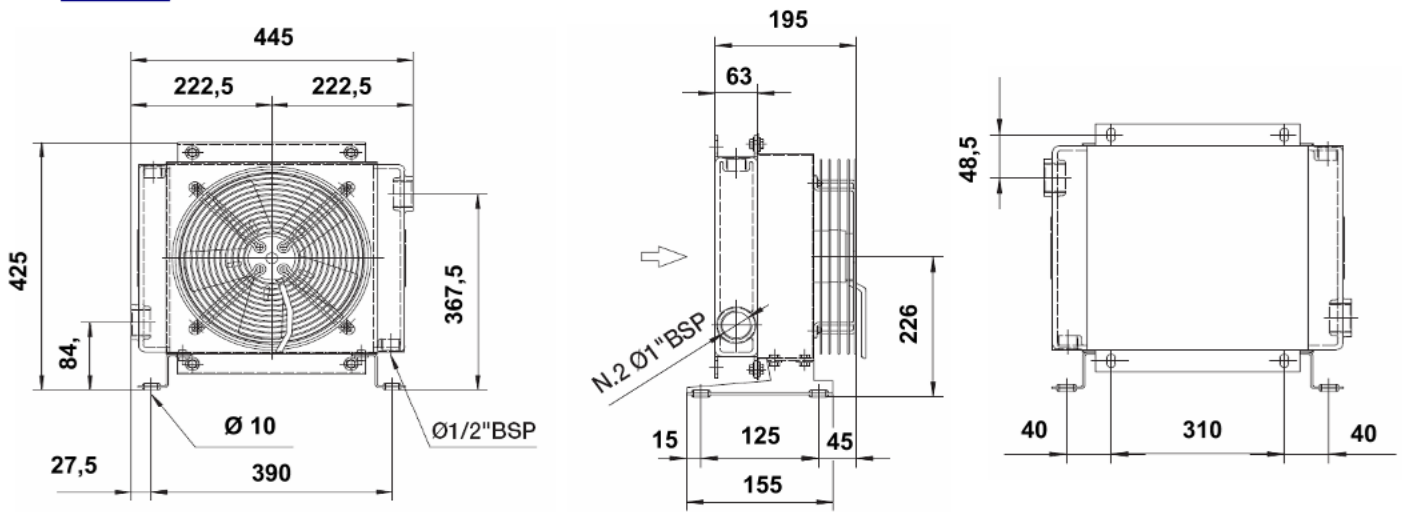
4024 220 V



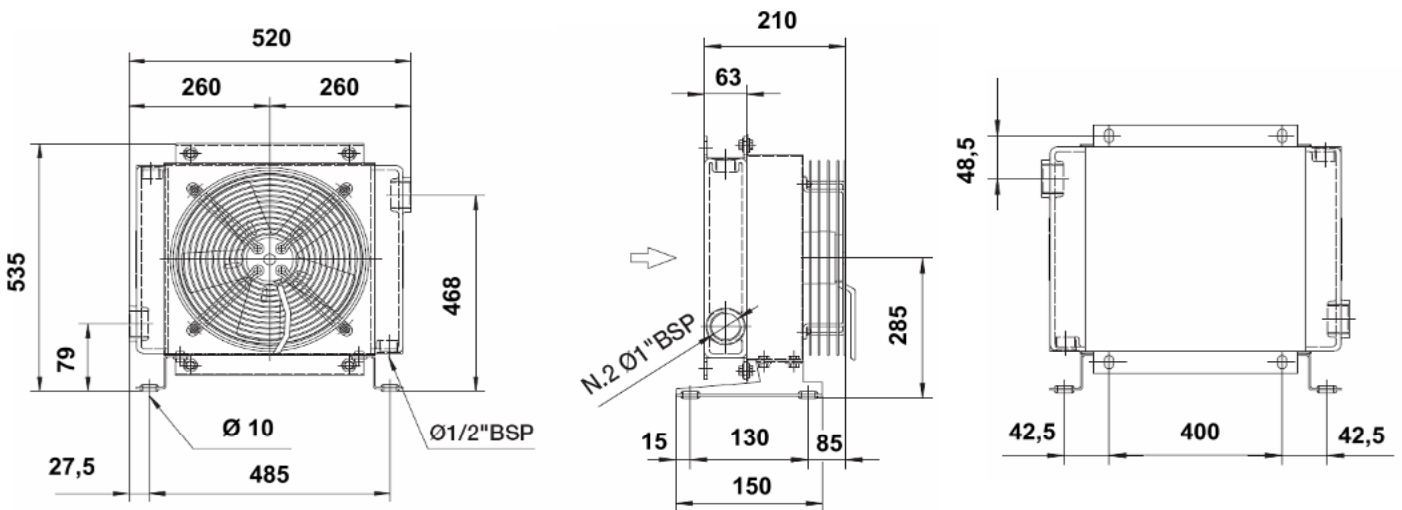
4030 220 V



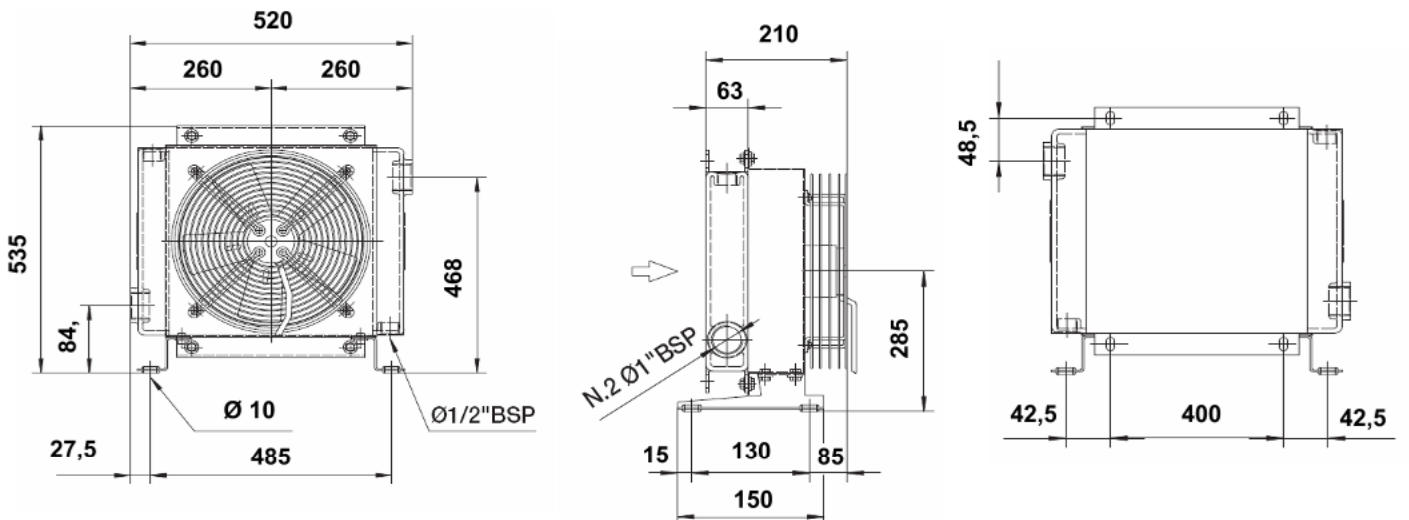
4030 24 V



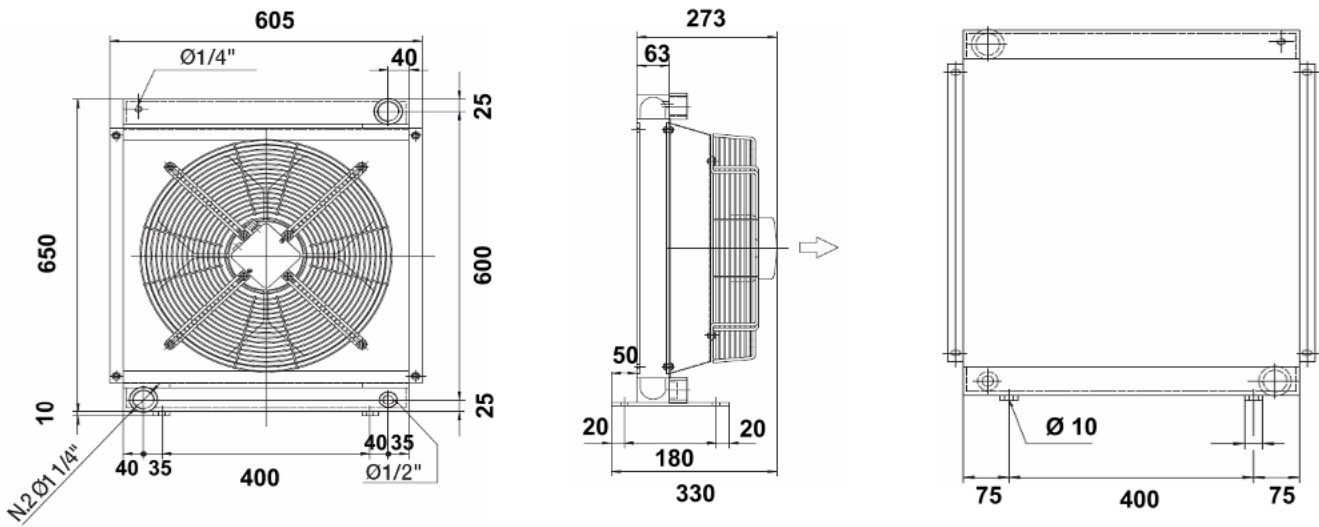
4040 24 V



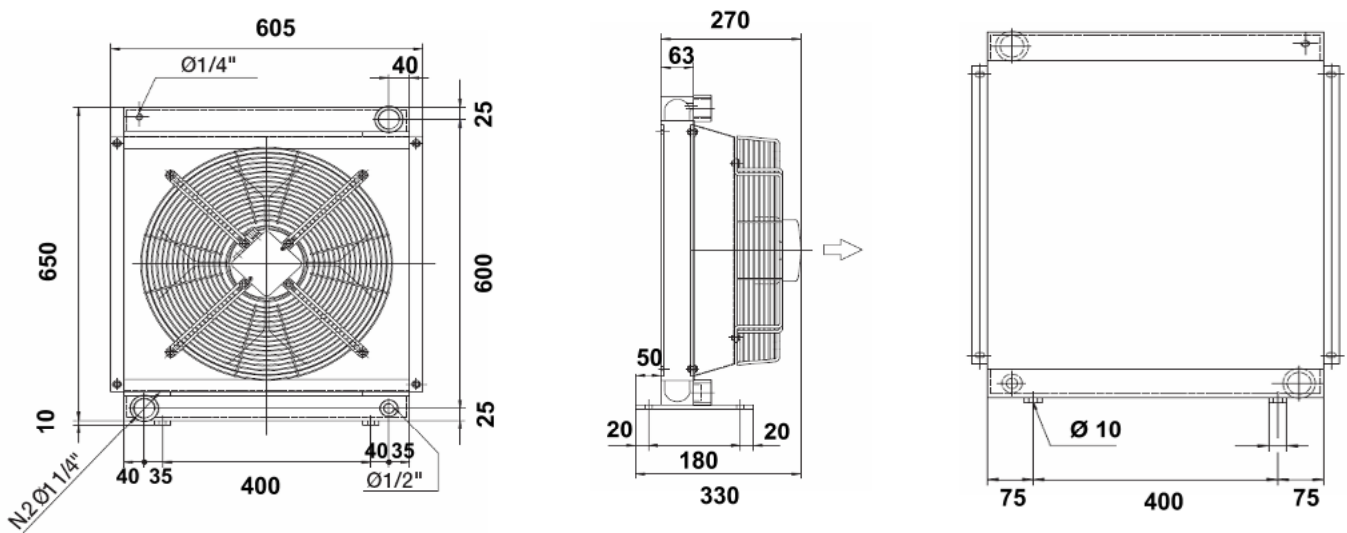
4040 220 V



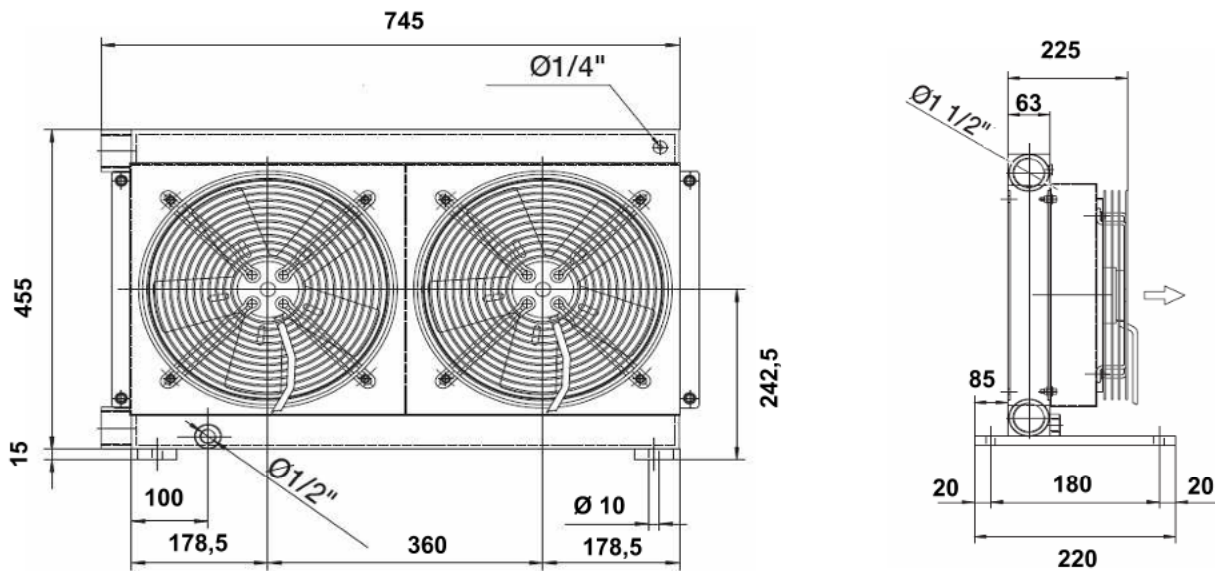
4050 220 V

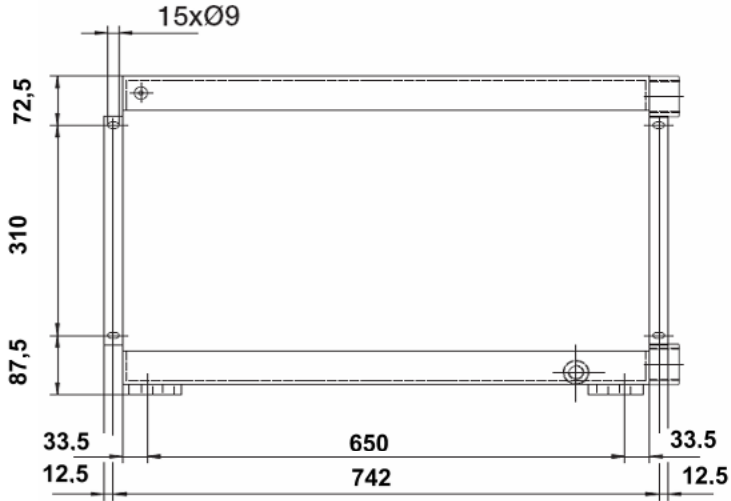


4050 24 V

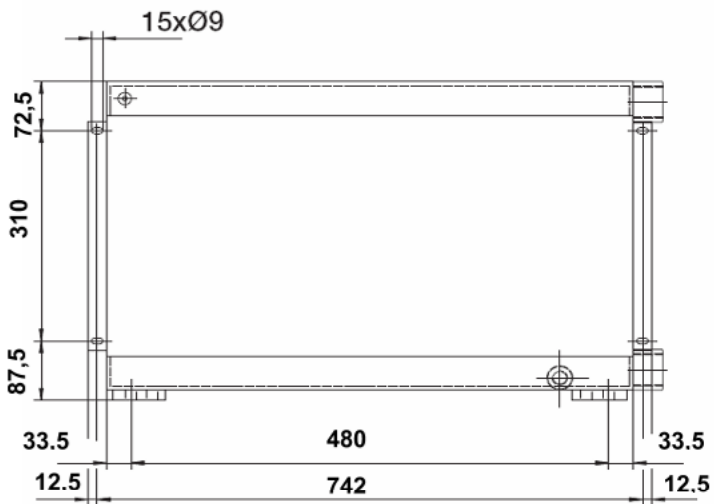
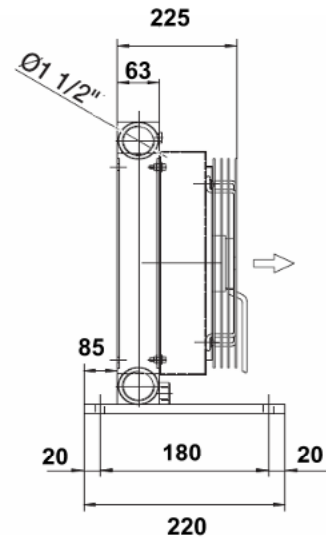
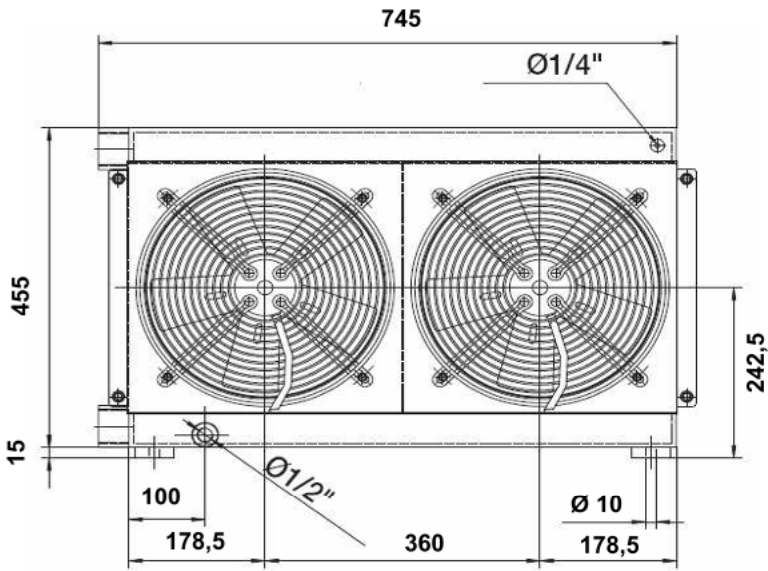


4030 2M 220 V

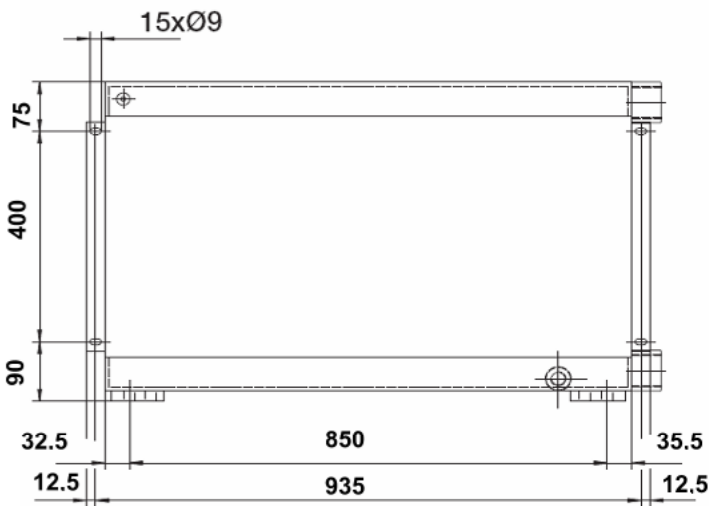
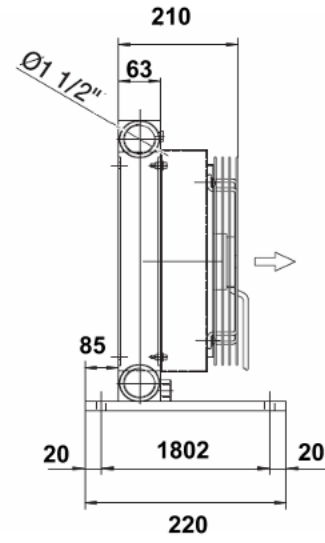
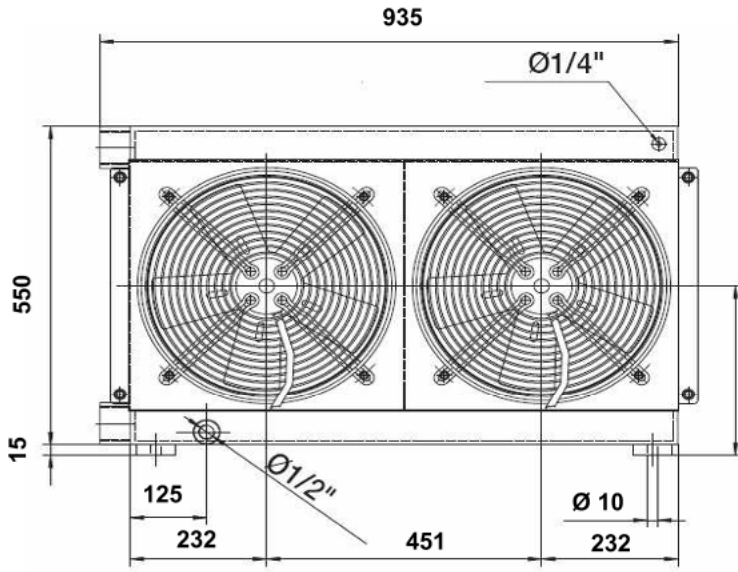




4030 2M 24 V



4040 2M 24 V



4040 2M 220 V

