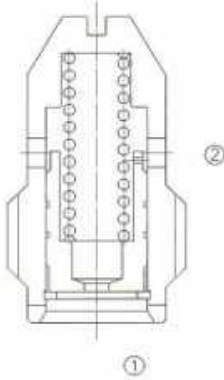


Regülatör, Hat İçi Denge Basınç Akış Kontrol Valfi Kontrol

IFC-6T



Regulator, Pressure-Compensated
Flow Control Valve in-line

OPERATION

The valve maintains a constant flow rate out of ② regardless of load pressure changes in the circuit downstream of ①. The fixed control orifice is factory preset to customer flow specification. Reverse flow (② to ①) returns through the control orifice and is non-compensated.

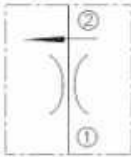
FEATURES

- Hardened parts for long life.
- Quiet, modulated response.

ÖZELLİKLER

Uzun ömür için sertleştirilmiş parça
Hareketsiz, ayarlanmış tepki

SYMBOL

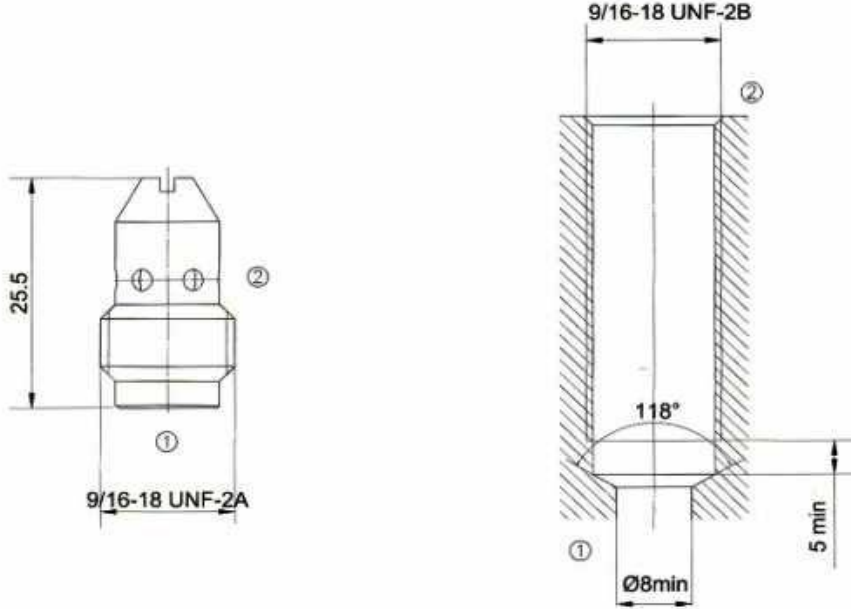


SPECIFICATIONS

Operating Pressure : 210 bar
Flow Settings : 1 l/min .min., 10 l/min max.
Flow Tolerance: Nominal flow $\pm 15\%$
Temperature : -40°F to 120°C
Filtration: Critical Application - ISO 16/12
Non-Critical Application - ISO 19/15
Fluids : Mineral-based fluids.
For other fluid compatibility, consult factory.
Body Material : Anodized 6061T6 aluminum
alloy rated at 207 Bar.

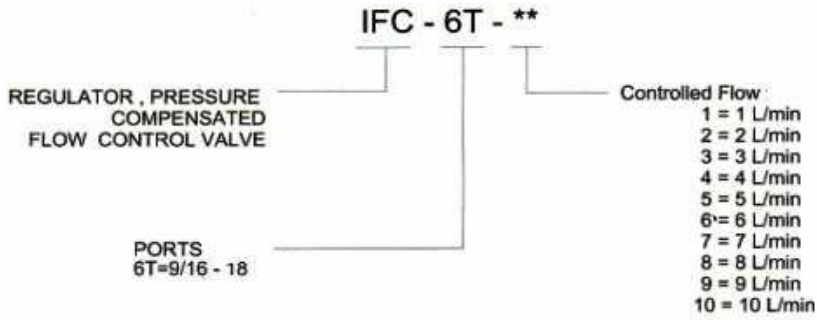
PRESSURE DROP VS. FLOW

YERLEŞTİRME ÖLÇÜLERİ INSTALLATION DIMENSIONS



Unit=Millimeters

TO ORDER



Hidrosam Hidropar Hidrolik Pnömatik Elektrik San.Tic. Ltd
Alaaddinbey mah. 623 sok. Şam 1 plaza B blok No:2/d Nilüfer/BURSA TURKEY

Tel:+90224 441 8877 Fax:+90224 441 0333

info@hidrosam.com www.hidrosam.com