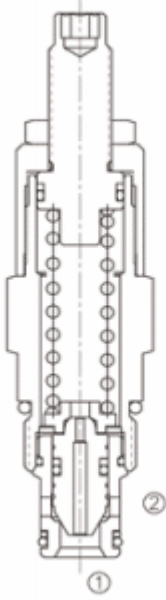


Ayarlanabilir, Direk Hareketli, Farklı alan Kartriç Emniyet Valfi

LDRV-10



Adjustable, Direct-Acting, Differential Area, Cartridge Relief Valve

OPERATION

The valve blocks flow from ② to ① until sufficient pressure is present at ② to force the poppet from its seat.

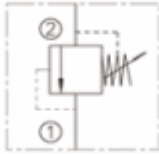
ÖZELLİKLER

FEATURES

- Fast response to pressure surges.
- Hardened poppet and seat for long life.
- Adjustment may be locked in place.
- Adjustment prevents spring from going solid.
- Industry common cavity.
- Compact size.

- Basınç yükselmesinde hızlı tepki
- Uzun ömür için sertleştirilmiş yuve ve popet
- Kilitlenebilen ayar noktası
- Katı hareketini yayları ayarlayarak önleme
- Endüstriyel standartlarda kavite
- Kompakt Boyut

SYMBOL



SPECIFICATIONS

Operating Pressure : 207 Bar

Flow : See PRESSURE DROP VS. FLOW graph.

Internal Leakage : 5 drops/min. MAX. to 80% of nominal setting

Spring Ranges :

3 to 41 bar, preset: 20bar;

10 to 80 bar, preset: 40bar;

17 to 150 bar, preset: 80bar;

20 to 210 bar, preset: 120bar;

Temperature : -30°F to +250°F (-35°C to +120°C).

Recommended Filtration : ISO 19/15

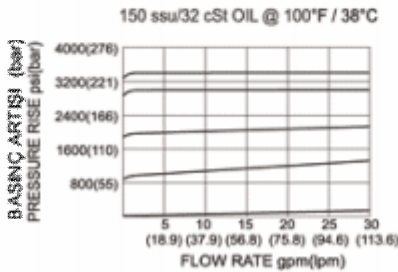
Fluids : Mineral-based fluids.

For other fluid compatibility consult factory.

Cavity : 10-2, see page 265

Body Material : Anodized 6061T6 aluminum alloy rated at 207 Bar.

PRESSURE DROP VS. FLOW



DEBİ ORANI (gpm)

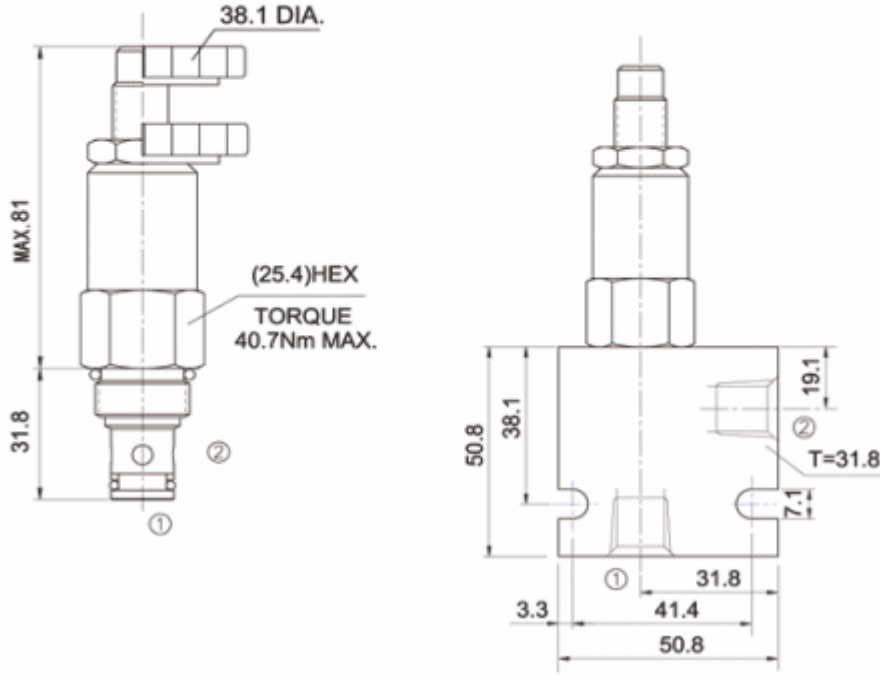
Hidrosam Hidropar Hidrolik Pnömatik Elektrik San.Tic. Ltd
Alaaddinbey mah. 623 sok. Şam 1 plaza B blok No:2/d Nilüfer/BURSA TURKEY

Tel:+90224 441 8877 Fax:+90224 441 0333

info@hidrosam.com www.hidrosam.com

YERLEŞTİRME ÖLÇÜLERİ

INSTALLATION DIMENSIONS



Unit=Millimeters

TO ORDER

