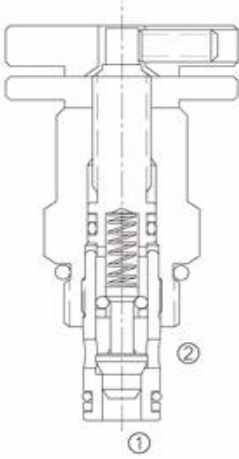


Ayarlanabilir, Kartriç Akış Kontrol Valfi LFC-08



Adjustable, Cartridge Flow Control Valve

OPERATION

The valve varies flow restriction by adjusting needle in or out. Flow is metered from ② to ①. Free reverse flow is from ① to ②.

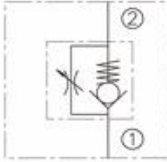
FEATURES

- Hardened poppet and seat for long life.
- Full range of adjustments.
- Adjustment may be locked in place.
- Industry common cavity.
- Compact size.

ÖZELLİKLER

- Uzun ömür için sertleştirilmiş hassas yuva
- Dolu ayar mesafesi - Kilitlenebilir ayar noktası
- Endüstriyel standartlarda kavite - Kompakt boyut

SYMBOL



SPECIFICATIONS

Operating Pressure : 250Bar

Flow : See PRESSURE DROP VS. FLOW graph

Temperature : -30°F to +250°F (-35°C to +120°C)

Recommended Filtration : ISO 19/15

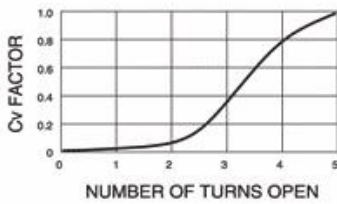
Fluids : Mineral-based fluids.

For other fluid compatibility, consult factory.

Cavity : 08-2, see page 264

Body Material : Anodized 6061T6 aluminum alloy rated at 207 Bar.

PRESSURE DROP VS. FLOW



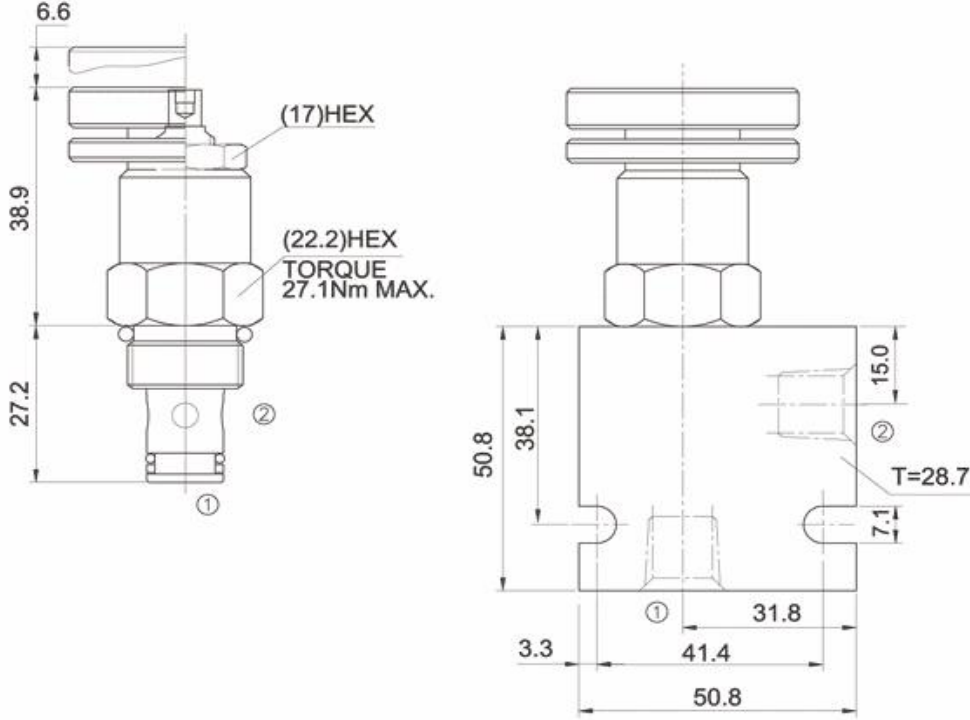
$$\text{FLOW IN GPM} = \frac{C_v \sqrt{P_1 - P_2}}{G_f}$$

Cv = Flow Coefficient
P1 = Inlet Pressure (psi)
P2 = Outlet Pressure (psi)

Gf = specific gravity of medium at operating temperature in F.

(AÇIK)

YERLEŞTİRME ÖLÇÜLERİ INSTALLATION DIMENSIONS



Unit=Millimeters

TO ORDER

