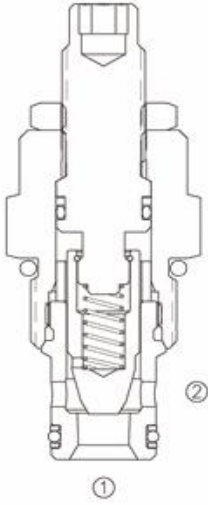


Ayarlanabilir, Kartriç

LFC-10



Adjustable, Cartridge Flow Control Valve

OPERATION

The valve varies flow restriction by adjusting needle in or out. Flow is metered from ② to ①. Free reverse flow is from ① to ②

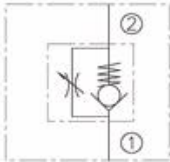
FEATURES

- Hardened poppet and seat for long life.
- Full range of adjustments.
- Adjustment may be locked in place.
- Industry common cavity.
- Compact size.

ÖZELLİKLER

- Uzun ömür için sertleştirilmiş hassas yuva
- Dolu ayar mesafesi
- Kilitlenebilir ayar noktası
- Endüstriyel standartlarda kavite
- Kompakt boyut

SYMBOL



SPECIFICATIONS

Operating Pressure : 250Bar

Flow : See PRESSURE DROP VS. FLOW graph

Temperature : -30°F to +250°F (-35°C to +120°C)

Recommended Filtration : ISO 19/15

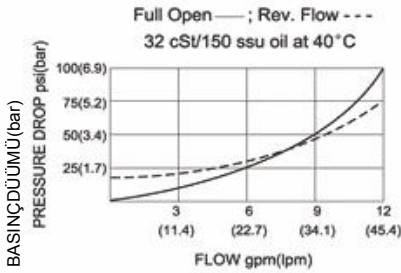
Fluids : Mineral-based fluids.

For other fluid compatibility, consult factory.

Cavity : 10-2, see page 265

Body Material : Anodized 6061T6 aluminum alloy rated at 207 Bar.

PRESSURE DROP VS. FLOW



DEBD

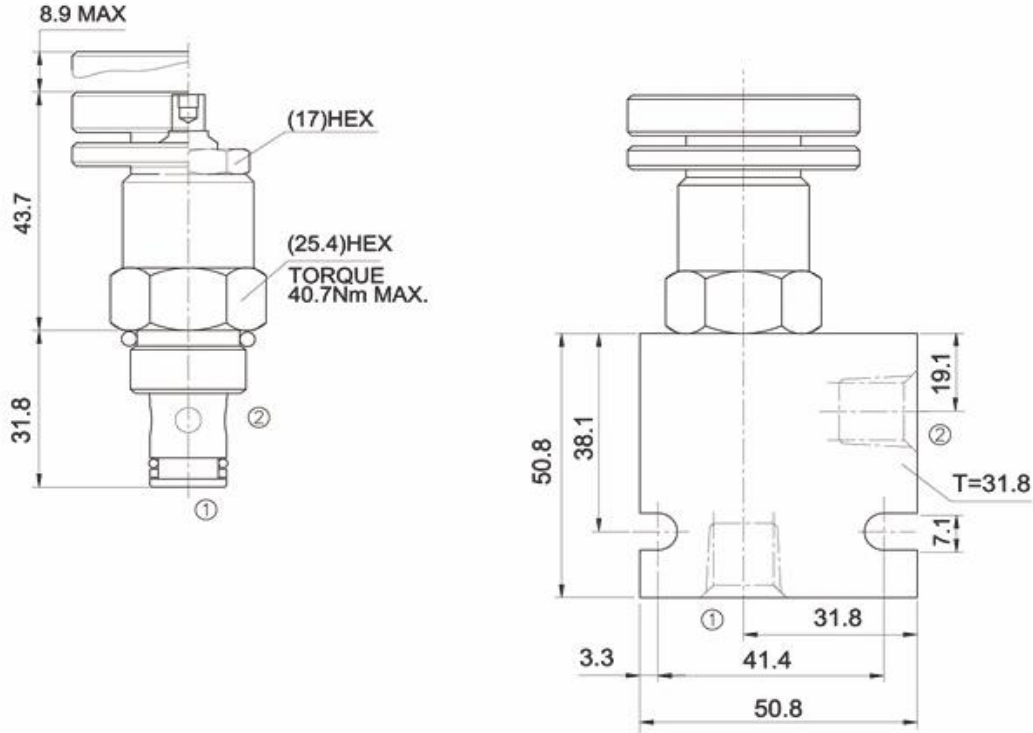
Hidrosam Hidropar Hidrolik Pnömatik Elektrik San.Tic. Ltd
Alaaddinbey mah. 623 sok. Şam 1 plaza B blok No:2/d Nilüfer/BURSA TURKEY

Tel:+90224 441 8877 Fax:+90224 441 0333

info@hidrosam.com www.hidrosam.com

YERLEŞTİRME ÖLÇÜLERİ

INSTALLATION DIMENSIONS



Unit=Millimeters

TO ORDER

