

Manuel Döner Valf

LMR-10-3

Manual Rotary Valve

OPERATION

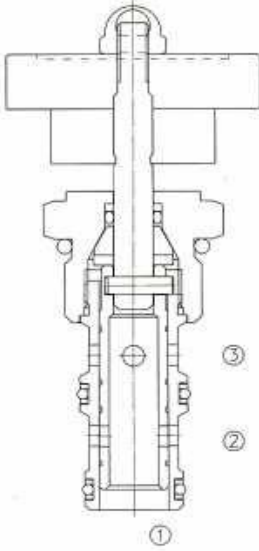
This valve will direct flow between ports ① and ③ and block port ② one position, and by turning the operator 90° , flow will be directed between ports ① and ② , port ③ will be blocked. During cross-over transition, all ports are blocked.

FEATURES

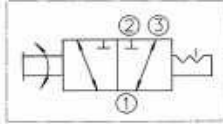
Hardened poppet and seat for long life.
Compact size.
Industry common cavity.

ÖZELLİKLER

- Uzun ömür için sertleştirilmiş hassas popet ve yuva
- Kompakt boyut
- Endüstriyel standartlarda kavite



SYMBOL



SPECIFICATIONS

Operating Pressure : 210 Bar

Flow : See PRESSURE DROP VS.FLOW graph.

Internal leakage : 164 ml/min max. 210 bar.

Temperature : -30°F to +250°F(-35°C to +120°C)

Recommended Filtration : Critical Application - ISO 16/12

: Non-Critical Application - ISO 19/15

Fluids : Mineral-based fluids.

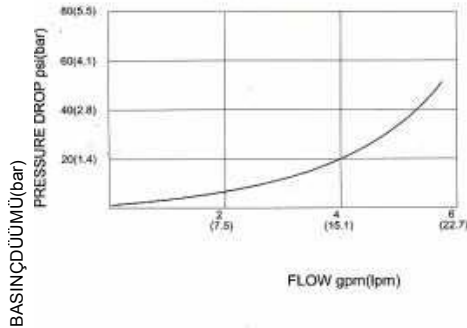
For other fluid compatibility, consult factory.

Cavity : 10-3, see page 265

Body Material : Anodized 6061T6 aluminum
Alloy rated at 207 Bar

PRESSURE DROP VS. FLOW

150 ssu/32 cSt OIL@100°F/38°C



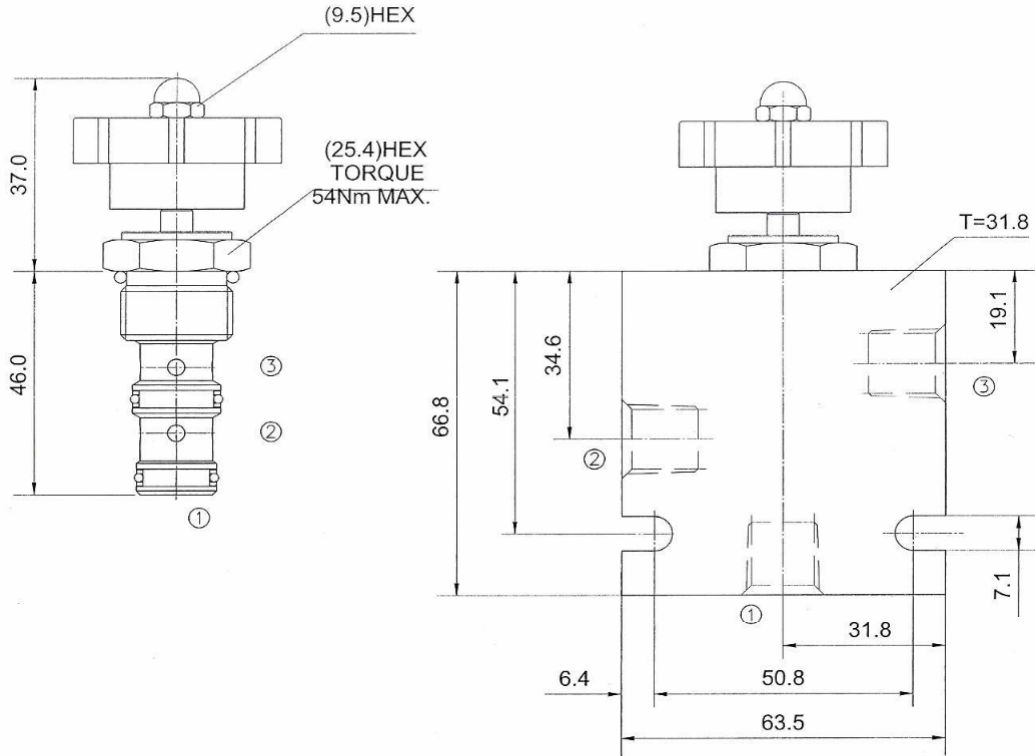
DEBD

Hidrosam Hidropar Hidrolik Pnömatik Elektrik San.Tic. Ltd
Alaaddinbey mah. 623 sok. Şam 1 plaza B blok No:2/d Nilüfer/BURSA TURKEY

Tel:+90224 441 8877 Fax:+90224 441 0333

info@hidrosam.com www.hidrosam.com

YERLEŞTİRME ÖLÇÜLERİ INSTALLATION DIMENSIONS



Unit=Millimeters

TO ORDER

