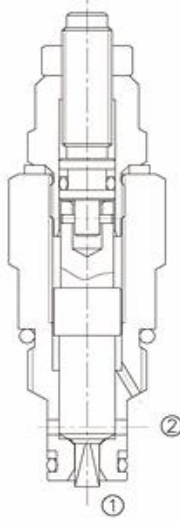


Ayarlanabilir Kartriç İğne Çek valf

LNV-08



Adjustable, Cartridge Needle Valve

OPERATION

The valve varies flow restriction by adjusting needle in or out and will shut off when fully closed. These valves will meter flow in either direction.

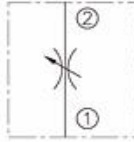
FEATURES

- Hardened seat for long life.
- Zero leakage at shut-off.
- Full range of adjustments.
- Adjustment may be locked in place.
- Positive shut-off.
- Compact size.
- Industry common cavity.

ÖZELLİKLER

- Uzun ömür için sertleştirilmiş hassas yuva
- Kapandığında sıfır sızıntı
- Dolu ayar mesafesi
- Kilitlenebilir ayar noktası
- Tam kapanabilme
- Kompakt boyut
- Endüstriyel standartlarda kavite

SYMBOL



SPECIFICATIONS

Operating Pressure : 250Bar

Flow : See FLOW CHARACTERISTICS chart.

Temperature : -15°F to +250°F (-26°C to +120°C)

Recommended Filtration : ISO 19/15

Fluids : Mineral-based fluids.

For other fluid compatibility, consult factory.

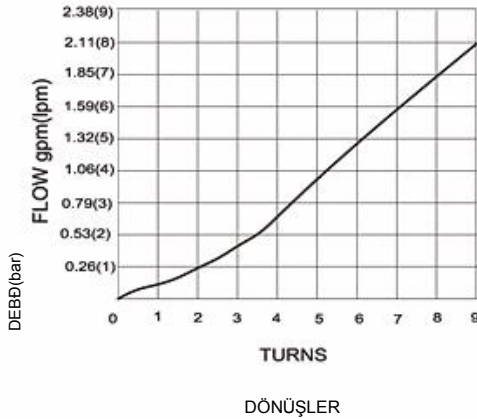
Cavity : 08-2, see page 264

Body Material : Anodized 6061T6 aluminum alloy rated at 207 Bar.

FLOW CHARACTERISTICS

150 ssu/32 cSt OIL @ 100°F./38°C.

$\Delta P=5.5$ Bar

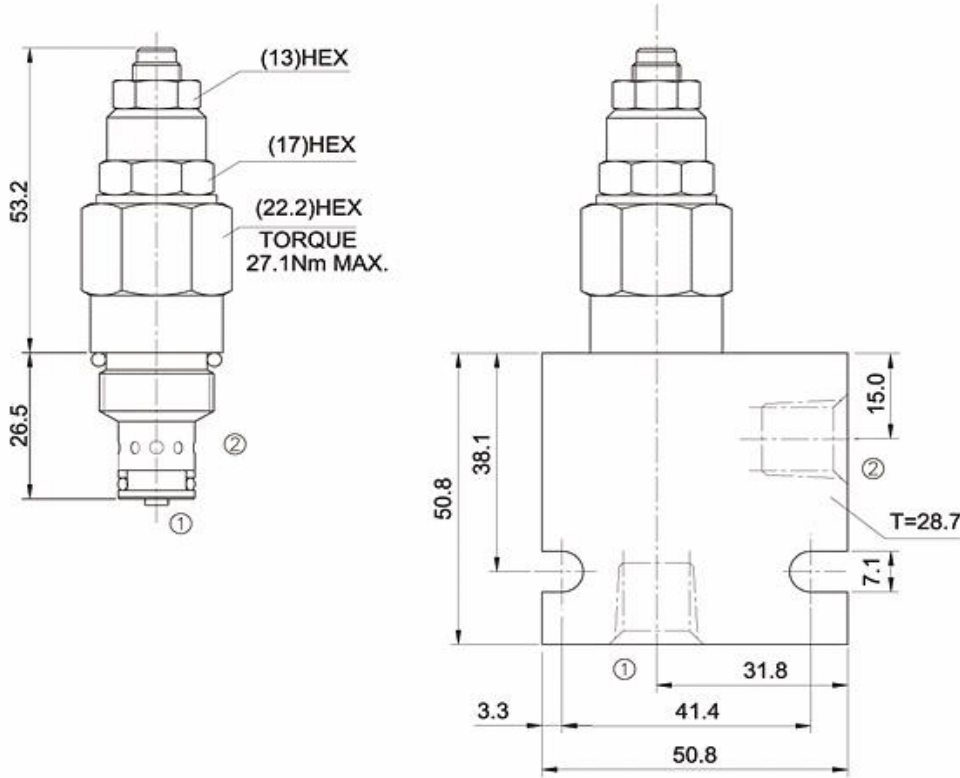


Hidrosam Hidropar Hidrolik Pnömatik Elektrik San.Tic. Ltd
Alaaddinbey mah. 623 sok. Şam 1 plaza B blok No:2/d Nilüfer/BURSA TURKEY

Tel:+90224 441 8877 Fax:+90224 441 0333

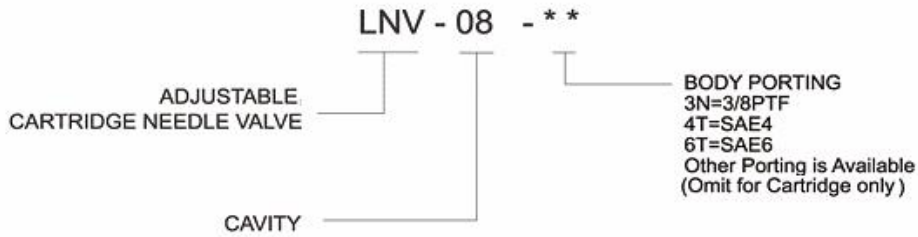
info@hidrosam.com www.hidrosam.com

YERLEŞTİRME ÖLÇÜLERİ INSTALLATION DIMENSIONS



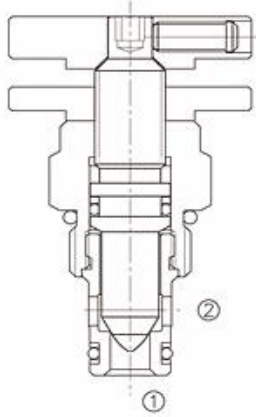
Unit=Millimeters

TO ORDER



Ayarlanabilir Kartriç İğne Çek valf

LNV2-08



Adjustable, Cartridge Needle Valve

OPERATION

The valve varies flow restriction by adjusting needle in or out and will shut off when fully closed. These valves will meter flow in either direction.

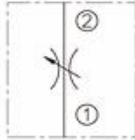
FEATURES

- Hardened seat for long life.
- Zero leakage at shut-off.
- Adjustment may be locked in place.
- Positive shut-off.
- Compact size.
- Industry common cavity.

ÖZELLİKLER

- Uzun ömür için sertleştirilmiş hassas yuva
- Kapandığında sıfır sızıntı
- Kilitlenebilir ayar noktası
- Tam kapanabilme
- Kompakt boyut
- Endüstriyel standartlarda kavite

SYMBOL



SPECIFICATIONS

Operating Pressure : 250Bar

Flow : See FLOW CHARACTERISTICS chart.

Temperature : -15°F to +250°F (-26°C to +120°C)

Recommended Filtration : ISO 19/15

Fluids : Mineral-based fluids.

For other fluid compatibility, consult factory.

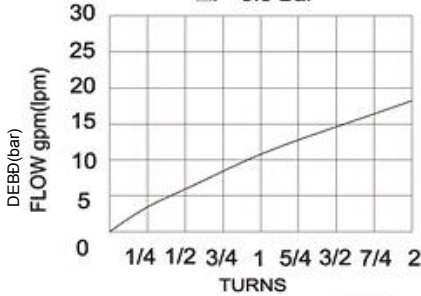
Cavity : 08-2, see page 264

Body Material : Anodized 6061T6 aluminum alloy rated at 207 Bar.

FLOW CHARACTERISTICS

150 ssu/32 cSt OIL @ 100°F./38°C.

ΔP=5.5 Bar



$$\text{FLOW IN GPM} = \frac{C_v \sqrt{P_1 - P_2}}{\sqrt{Gr}}$$

Cv = FLOW Coefficient
P1=Inlet Pressure(psi)
P2=Outlet Pressure(psi)

Gr= specific gravity of medium at operating temperature in F.

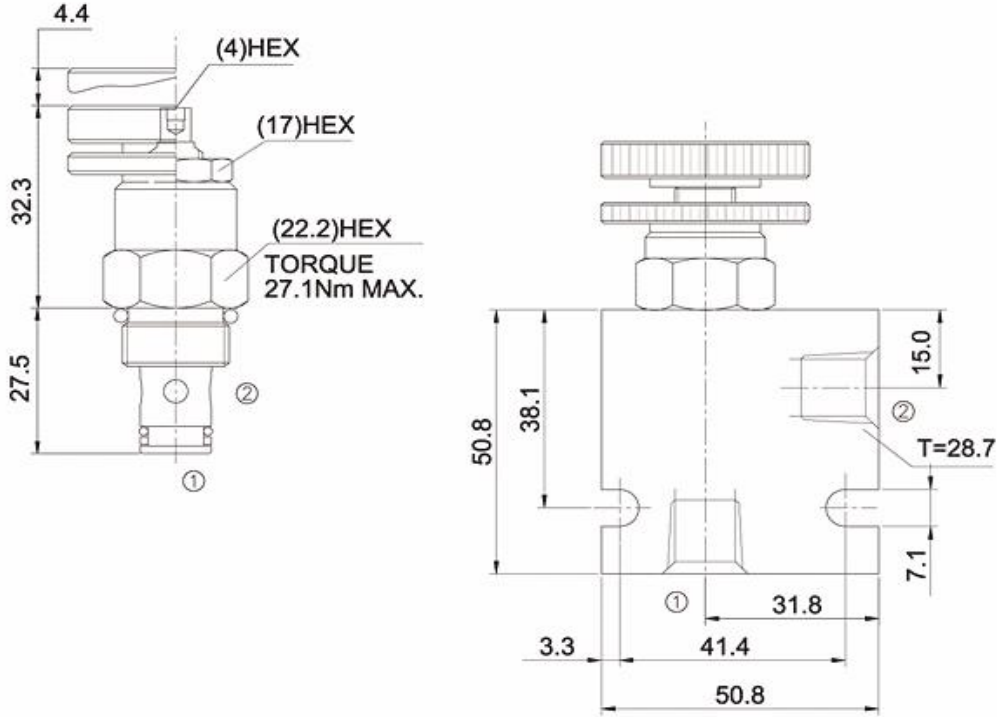
Hidrosam Hidropar Hidrolik Pnömatik Elektrik San.Tic. Ltd

Alaaddinbey mah. 623 sok. Şam 1 plaza B blok No:2/d Nilüfer/BURSA TURKEY

Tel:+90224 441 8877 Fax:+90224 441 0333

info@hidrosam.com www.hidrosam.com

YERLEŞTİRME ÖLÇÜLERİ INSTALLATION DIMENSIONS



Unit=Millimeters

TO ORDER

