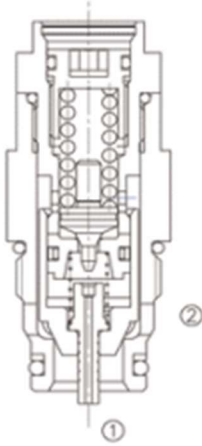


Ayarlanabilir, Direkt- Hareketli Kartriç
Emniyet Valfi

LPOSRV-10M (FORMERLY: LPORRV-10M)



Adjustable, Pilot-Operated Cartridge Relief Valve

OPERATION

The valve prevents flow from ① to ② until pressure at ① exceeds the set crack pressure and opens the pilot section. The pilot flow creates a pressure differential across the poppet which causes the valve to open allowing flow from ① or ② protecting the circuit from over pressurization. Pressure at ② overcomes the spring-bias pressure 2~3Bar and allows free flow to ①, then in its steady state, pressure maintains at 0.8 Bar.

FEATURES

- Fast response to pressure surges.
- Spool structure of variable damping.

ÖZELLİKLER

- Basınç dalgalanmalarına karşı hızlı tepki
- Değişken inişlere sürgü bölümü

SYMBOL



SPECIFICATIONS

Operating Pressure : 345Bar

Flow : 100L/min

Internal Leakage : 5 drops/min. MAX.to 85% of nominal setting.

Temperature : -30° F to +250° F (-35°C to +120° C)

Recommended Filtration : ISO 19/15

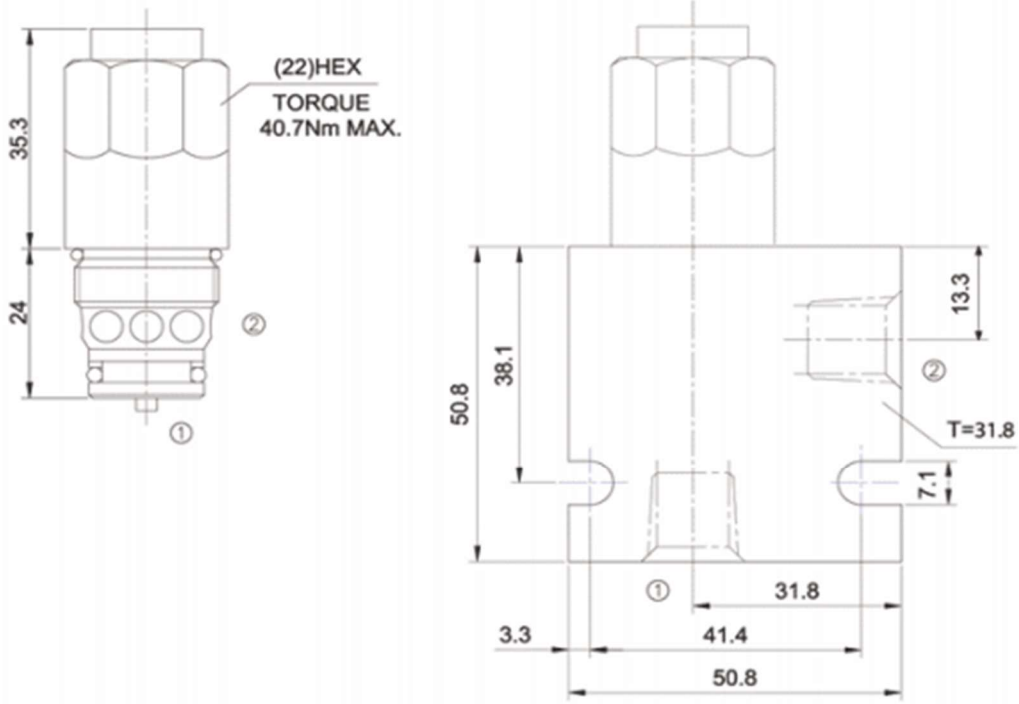
Fluids : Mineral-based fluids.

For other fluid compatibility consult factory.

Cavity : 10M-2, see page 228

Body Material : steel rated at 350Bar.

YERLEŞTİRME ÖLÇÜLERİ INSTALLATION DIMENSIONS



Unit=Millimeters

TO ORDER

