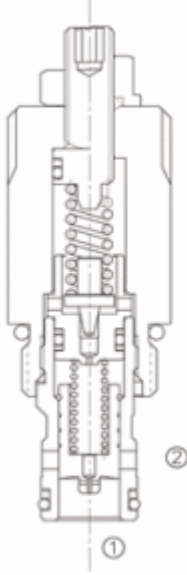


Ayarlanabilir,Pilot Uyarılı Kartriç Emniyet Valfi

LPSRV2 - 10



Adjustable, Pilot-Operated Cartridge Relief Valve

OPERATION

The valve prevents flow from ① to ② until pressure at ① exceeds the set crack pressure and opens the pilot section. The pilot flow creates a pressure differential across the spool which causes the valve to open allowing flow from ① or ② protecting the circuit from over pressurization.

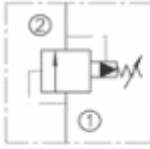
FEATURES

- Fast response to pressure surges.
- Hardened parts for long life.
- Adjustment may be locked in place.
- Industry common cavity.
- Compact size.

ÖZELLİKLER

- Basınç yükselmesinde hızlı tepki
- Uzun ömür için sertleştirilmiş parça
- Kilitlenebilir ayar noktası
- Endüstriyel standartlarda kavite
- Kompakt Boyut

SYMBOL



SPECIFICATIONS

Max. Operating Pressure : 420Bar

Flow : See PRESSURE DROP VS. FLOW graph.

Internal Leakage : 82cc /min. MAX.to 80% of nominal setting

Spring Ranges :

0.5 to 55 Bar, Preset :47Bar

35 to 140 Bar, Preset :48Bar

70 to 280 Bar, Preset :88Bar

Temperature : -30° F to +250° F (-35°C to +120° C)

Recommended Filtration : ISO 19/15

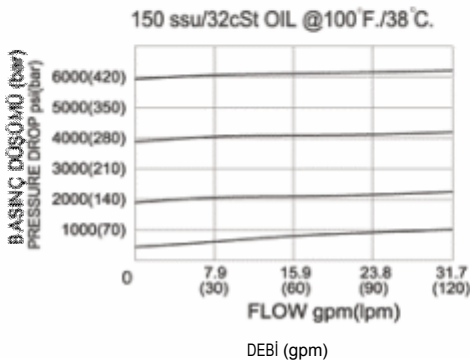
Fluids : Mineral-based fluids.

For other fluid compatibility consult factory.

Cavity : 10-2, see page 265

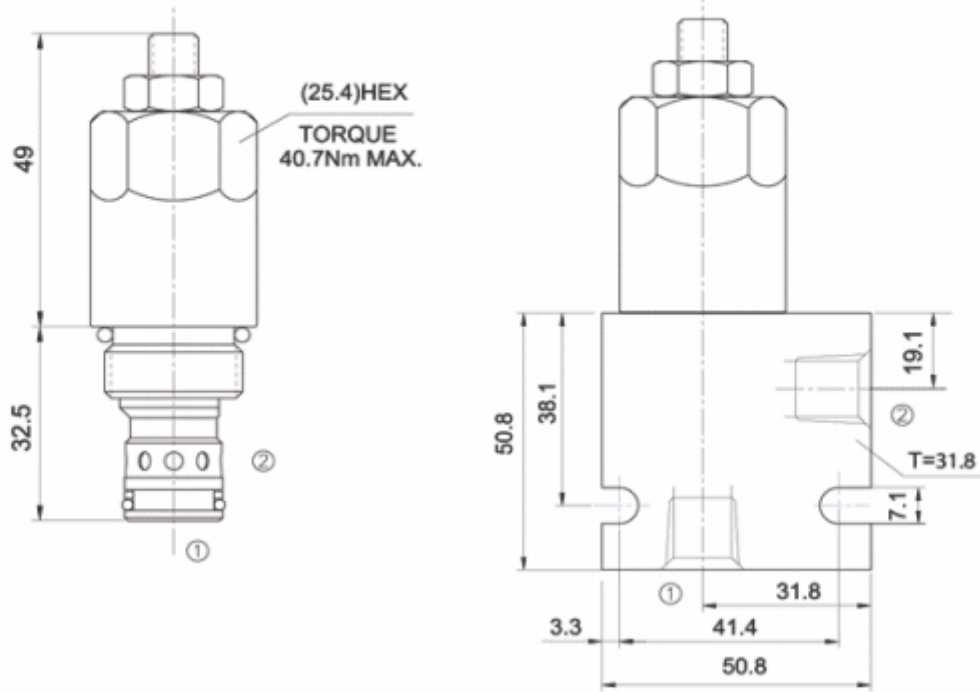
Body Material : Steel rated at 420 Bar.

PRESSURE DROP VS. FLOW



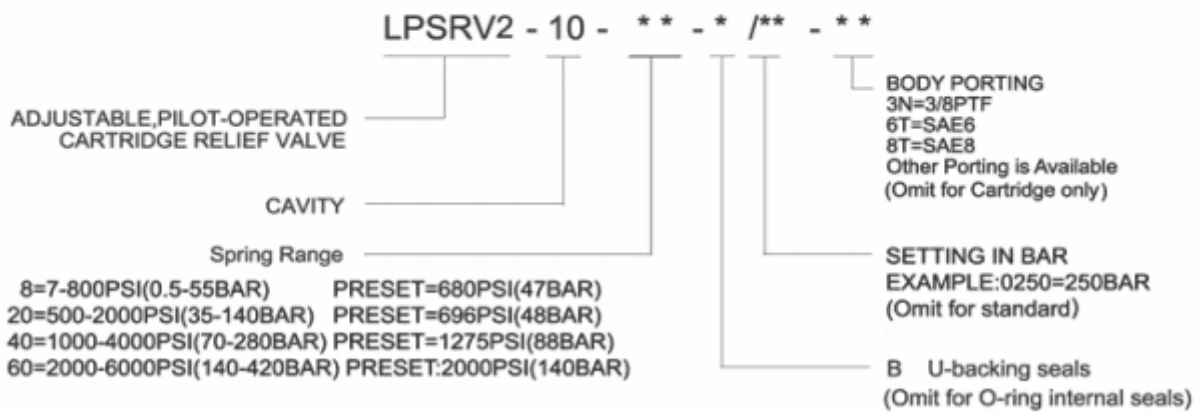
YERLEŞTİRME ÖLÇÜLERİ

INSTALLATION DIMENSIONS



Unit=Millimeters

TO ORDER



Hidrosam Hidropar Hidrolik Pnömatik Elektrik San.Tic. Ltd
Alaaddinbey mah. 623 sok. Şam 1 plaza B blok No:2/d Nilüfer/BURSA TURKEY

Tel:+90224 441 8877 Fax:+90224 441 0333

info@hidrosam.com www.hidrosam.com