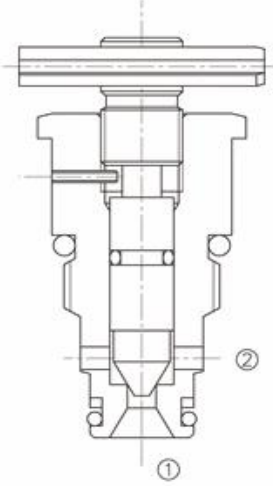


Ayarlanabilir, Kartriç Kapama Valfi

LS-08



Adjustable, Cartridge Shut off Valve

OPERATION

The valve varies flow restriction by adjusting needle in or out and will shut off when fully closed. This valve will meter flow in either direction.

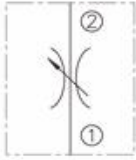
FEATURES

- Hardened seat for long life.
- Zero leakage available at shut-off.
- Full range of adjustments.
- Positive shut-off.
- Industry common cavity.
- Compact size.

ÖZELLİKLER

- Uzun ömür için sertleştirilmiş hassas yuva
- Kapandığında sıfır sızıntı
- Dolu ayar mesafesi
- Tam kapanabilme
- Endüstriyel standartlarda kavite
- Kompakt boyut

SYMBOL



SPECIFICATIONS

Operating Pressure : 250 Bar

Flow : See FLOW CHARACTERISTICS chart

Internal Leakage : zero drops/min. max. at 207 Bar at shut-off.

Temperature : -30°F to +250°F (-35°C to +120°C)

Recommended Filtration : ISO 19/15

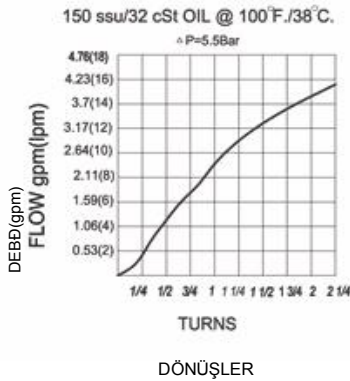
Fluids : Mineral-based fluids.

For other fluid compatibility, consult factory.

Cavity : 08-2, see page 264

Body Material : Anodized 6061T6 aluminum alloy rated at 207 Bar.

FLOW CHARACTERISTICS

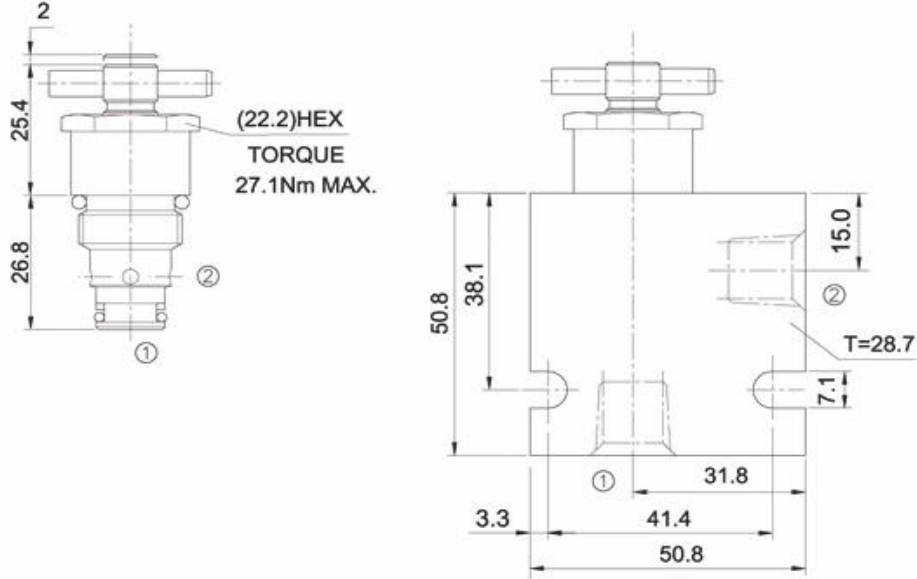


Hidrosam Hidropar Hidrolik Pnömatik Elektrik San.Tic. Ltd
Alaaddinbey mah. 623 sok. Şam 1 plaza B blok No:2/d Nilüfer/BURSA TURKEY

Tel:+90224 441 8877 Fax:+90224 441 0333

info@hidrosam.com www.hidrosam.com

YERLEŞTİRME ÖLÇÜLERİ INSTALLATION DIMENSIONS



Unit=Millimeters

TO ORDER

