

LSV-08-2 NCSP-L

DESCRIPTION

A solenoid operated, 2-way, 2-position, normally closed, poppet-type bi-directional cartridge valve.

OPERATION

When de-energized, the valve blocks flow in both directions. When energized, the poppet shifts to allow flow in both directions.

OPERASYON:

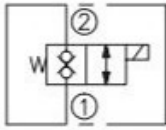
Enerjisi kesildiğinde, popet flow'den ①'ya açık akışa kaldırılır. Akış da açık ① ile ② arasındadır. Enerji verildiğinde, kartuş bir çek valf görevi görür ve ① ile ② arasındaki akışa izin verir solenoid kuvvetinin üstesinden geldikten sonra ② ile ① arasındaki akışı engelleme (3.4 ila 10.3 gerektirir)

bar [50 ila 150 psi).

Operation of Manual Override Option

To override, push button in to activate. To return to normal valve function, release button.

SYMBOL

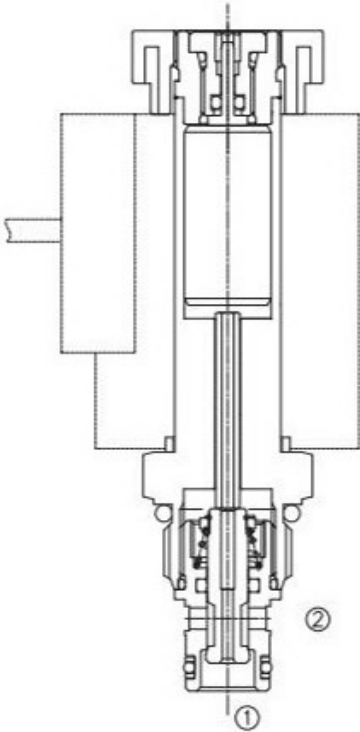
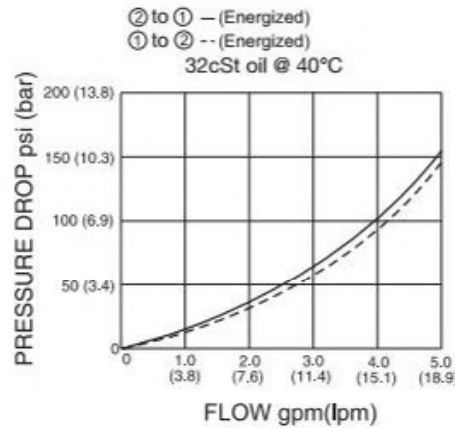


SPECIFICATIONS

(Operating Pressure):	250bar	
(Flow):	See PRESSURE DROP VS.FLOW graph.	
(Internal Leakage):	<1 drops/min.	Our ideal leakage: <0.05 drops/min
(Temperature):	-40°F to +212°F(-40°C to +100°C)	
(Coil Duty Rating):	Continuous from 85% to 115% of nominal voltage	
(Filtration):	See page	N-1
(Fluids):	Mineral-based fluids with viscosities of 7.4 to 420 cSt.	
(Cavity):	08-2, See page M-1	
(Body Material):		

6061-T6 aluminum alloy rated to 207bar, Steel & Ductile iron rated to 350bar

PRESSURE DROP VS.FLOW



TO ORDER

LSV - 08 - 2 NC SP - L * - * * - * *

1
2
3
4
5
6
7
8
9
10

1 LSV= Solenoid Valve	7 Blank= None M= Manual Override	10 Body Porting Blank= None 4T=SAE 4 6T=SAE 6 2G=G 1/4 3G=G 3/8
2 Size 08=08	8 Voltage 1=12 VDC 2=24 VDC 3=110 VAC 4=220 VAC 7=48 VDC 8=24 VAC 9=72 VDC	Other Porting Is Available
3 2= Flow Path	9 Coil Connection D= Double Lead S= Single Lead H= Hirschmann ER= Deutsch Connector(Water-proof Coil) B= Double Spade	
4 NC= Normally Closed		
5 SP= Poppet		
6 L= Zero Leakage		

INSTALLATION DIMENSIONS

Coil Must Be Installed With Letter Up

Unit=Millimeters

