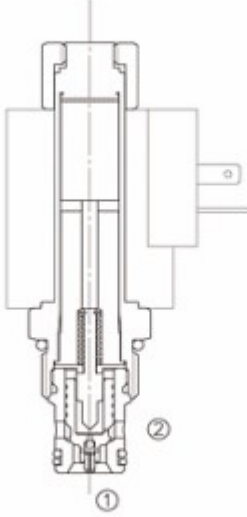


## Normalde-Açık,İki-Yollu,İki-Konumlu, Poppet Tip Kartriç Solenoid Valf ile Enerjisiz Ters Akış

### LSV2-10-2 NORP



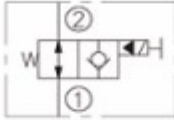
### Normally-Open, Two-Way, Two-Position, Poppet Type Cartridge Solenoid Valve With Reverse Flow De-energized

#### OPERATION

When de-energized, the poppet lifts to open flow both ② and ① ;  
When energized, the cartridge acts as a check valve, allowing flow  
from ① to ② after overcoming the solenoid force (requires 3.4 to  
10.3 bar [50 to 150 psi]).  
while blocking flow from ② to ①.

**Operation of Manual Override Option:** To override, push button in to  
activate. To return to normal valve function, release button.

#### SYMBOL



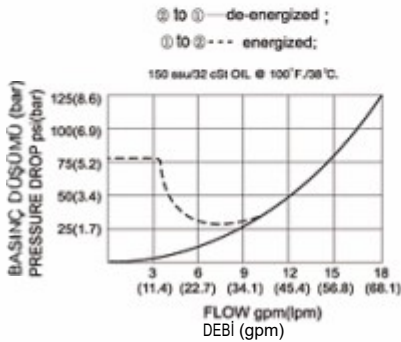
#### FEATURES

- Continuous-duty solenoid.
- Hardened seat for long life .
- Optional coil voltages and terminations.
- Efficient wet-armature construction.
- Filter screen standard.
- Industry common cavity.
- Compact size.

#### ÖZELLİKLER

- Sürekli-çalışabilen bobin
- Uzun ömür için sertleştirilmiş yuva
- Seçmeli bobin voltajı ve sınırlama
- Etkili ıslak-armatür konstrüksiyon
- Standart filtreleme
- Endüstriyel standartlarda kavite
- Kompakt boyut

#### PRESSURE DROP VS. FLOW



#### SPECIFICATIONS

**Max. Operating Pressure :** 300Bar

**Flow :** See PRESSURE DROP VS. FLOW graph.

**Internal Leakage :** 5 drops/minute max. at 300Bar .

**Temperature :** -30°F to +250°F (-35°C to +120°C)

**Coil Rating :** Continuous from 85% to 115% of nominal voltage.

**Recommended Filtration:** Critical Application-ISO 16/12

Non-Critical Application-ISO 19/15

**Fluids :** Mineral-based fluids.

For other fluid compatibility consult factory.

**Cavity :** 10-2, See page 265

**Body Material :** Anodized 6061T6 aluminum  
alloy rated at 207 Bar.  
Steel rated at 350 Bar.

Hidrosam Hidropar Hidrolik Pnömatik Elektrik San.Tic. Ltd

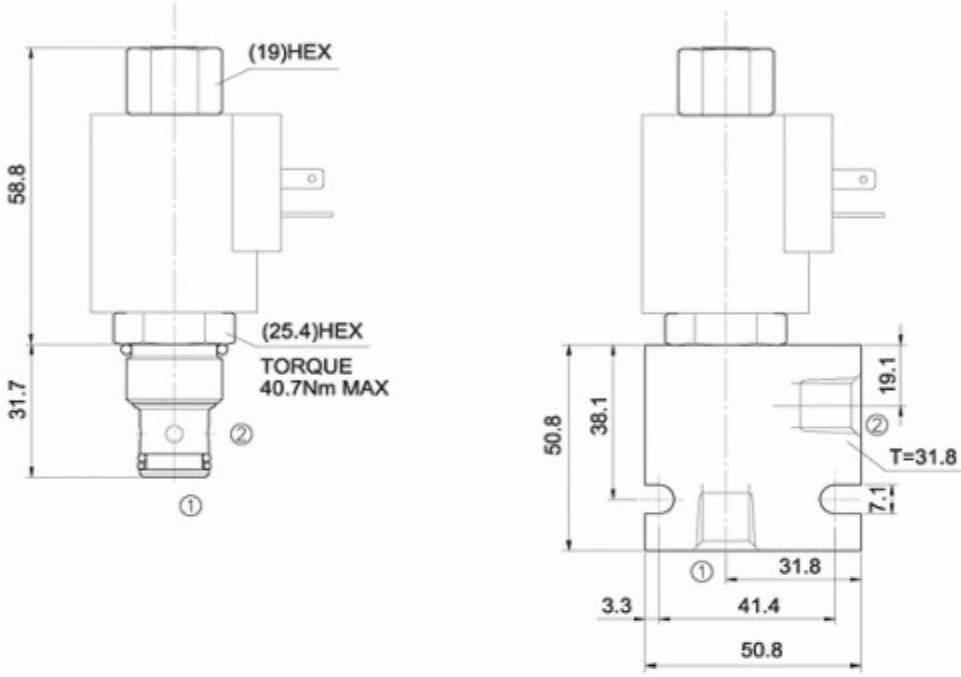
Alaaddinbey mah. 623 sok. Şam 1 plaza B blok No:2/d Nilüfer/BURSA TURKEY

Tel:+90224 441 8877 Fax:+90224 441 0333

[info@hidrosam.com](mailto:info@hidrosam.com) [www.hidrosam.com](http://www.hidrosam.com)

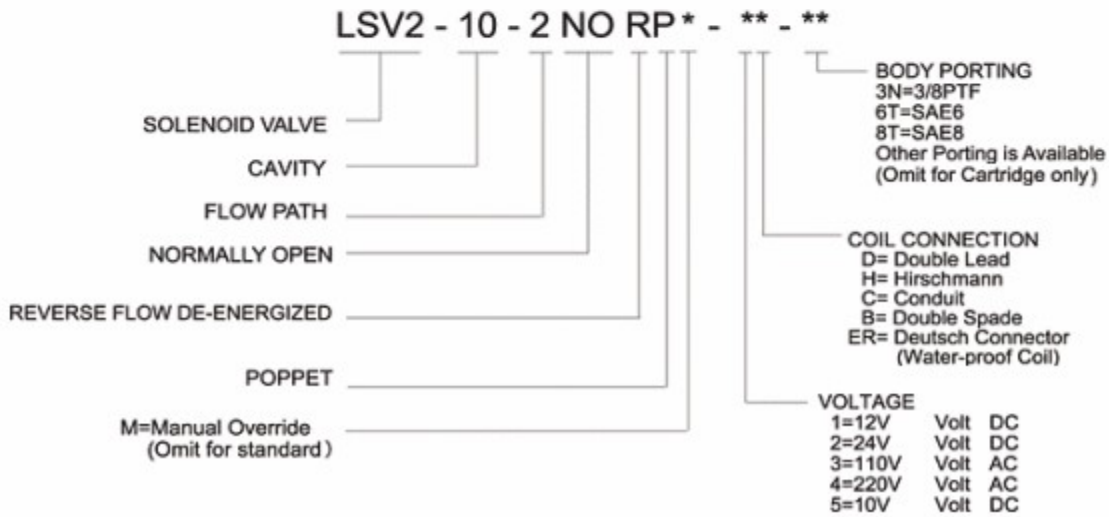
## YERLEŞTİRME ÖLÇÜLERİ

## INSTALLATION DIMENSIONS



Unit=Millimeters

## TO ORDER



Hidrosam Hidropar Hidrolik Pnömatik Elektrik San.Tic. Ltd  
Alaaddinbey mah. 623 sok. Şam 1 plaza B blok No:2/d Nilüfer/BURSA TURKEY

Tel:+90224 441 8877 Fax:+90224 441 0333

[info@hidrosam.com](mailto:info@hidrosam.com) [www.hidrosam.com](http://www.hidrosam.com)