

## LSV2-12-2 NCRP

### DESCRIPTION

A solenoid operated, 2-way, 2-position, normally closed, poppet-type cartridge valve with reverse flow energized.

### OPERATION

When de-energized, the valve acts as a check valve, allowing flow from ① to ②, while blocking flow from ② to ①.

When energized, the poppet lifts to open the ② to ① flow path. In this mode, flow is also allowed from ① to ②.

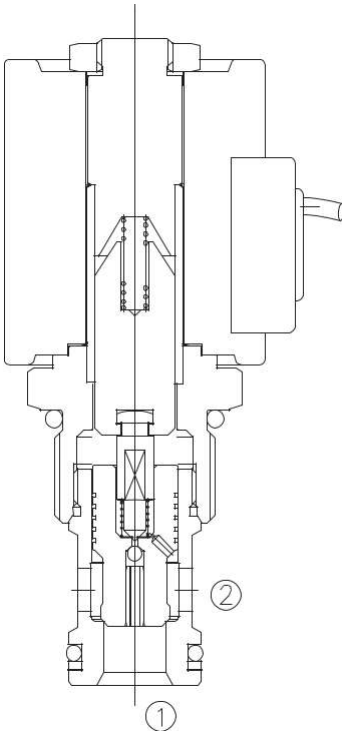
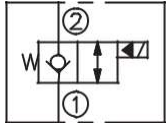
Enerjisi kesildiğinde, valf bir çek valf görevi görür ve ①'den ②'ya akış sağlar ② ile ① arasındaki akışı engeller.

Enerji verildiğinde, poppet akış yolunu açmak için kaldırılır. Bu mod da, akış ① ile ② arasında da izin verilir.

### Operation of Manual Override Option

To override, push button in, twist counterclockwise 180° and release. In this position, the valve will remain open in a detented condition. To return to normal operation, push button in, twist clockwise 180° and release. Override will be detented in this position.

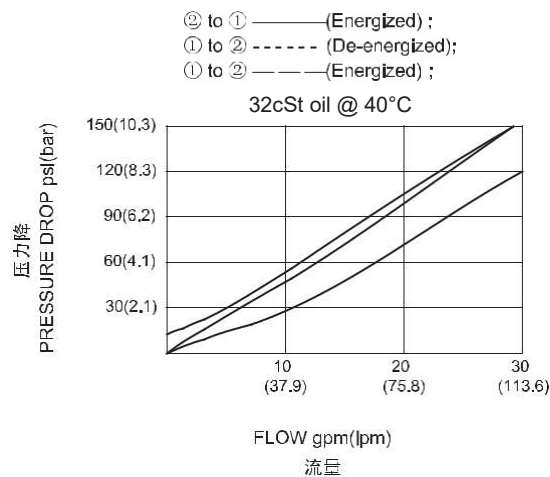
### SYMBOL



### SPECIFICATIONS

(Max. Operating Pressure):	207bar
(Flow):	See PRESSURE DROP VS.FLOW graph.
(Internal Leakage):	3 drops/min. max. at 207bar
(Temperature):	-40°F to +212°F(-40°C to +100°C)
(Coil Duty Rating):	Continuous from 85% to 115% of nominal voltage
(Filtration):	See page N-1
(Fluids):	Mineral-based fluids with viscosities of 7.4 to 420 cSt.
(Cavity):	12-2, See page M-3
(Body Material):	6061-T6 aluminum alloy rated to 207bar, Steel & Ductile iron rated to 350bar

### PRESSURE DROP VS.FLOW



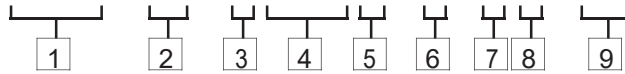
Hidrosam Hidropar Hidrolik Pnömatik Elektrik San.Tic. Ltd  
Alaaddinbey mah. 623 sok. Şam 1 plaza B blok No:2/d Nilüfer/BURSA TURKEY

Tel:+90224 441 8877 Fax:+90224 441 0333

[info@hidrosam.com](mailto:info@hidrosam.com) [www.hidrosam.com](http://www.hidrosam.com)

## TO ORDER

### LSV2-12-2NCRP--\*-\* \*-\* \*

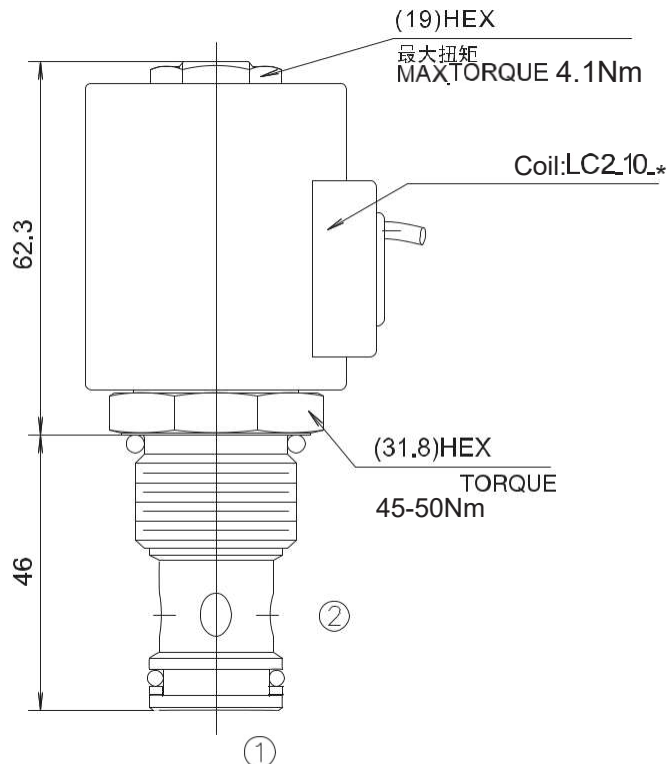


<p><b>1</b> LSV2= Solenoid Valve</p> <hr/> <p><b>2</b> Size 12=12</p> <hr/> <p><b>3</b> Flow Path 2= 二</p> <hr/> <p><b>4</b> NCR= Normally Closed, Reverse Flow Energized</p> <hr/> <p><b>5</b> P= Poppet</p> <hr/>	<p><b>6</b> Blank= None M= Manual Override</p> <hr/> <p><b>7</b> Voltage 1=12 VDC 2=24 VDC 3=110 VAC 4=220 VAC 5=10 VDC</p> <hr/> <p><b>8</b> Coil Connection D= Double Lead S= Single Lead H= Hirschmann C= Conduit ER= Deutsch Connector(Water-proof Coil)</p> <hr/> <p>B= Double Spade</p> <hr/>	<p><b>9</b> □ BODY PORTING Blank= None 10T=SAE 10 12T=SAE 12 6G=G 3/4 8G=G 1</p> <hr/> <p>K-8</p> <hr/> <p>Other Porting Is Available</p>
---	---	---

## INSTALLATION DIMENSIONS

Coil Must Be Installed With Letter Up

Unit=Millimeters



**Hidrosam Hidropar Hidrolik Pnömatik Elektrik San.Tic. Ltd**  
Alaaddinbey mah. 623 sok. Şam 1 plaza B blok No:2/d Nilüfer/BURSA TURKEY

Tel:+90224 441 8877 Fax:+90224 441 0333

[info@hidrosam.com](mailto:info@hidrosam.com) [www.hidrosam.com](http://www.hidrosam.com)