

LSV6-08-2 NCSP

DESCRIPTION

A solenoid operated, 2-way, 2-position, normally closed, poppet-type bi-directional cartridge valve.

OPERATION

When de-energized, the valve blocks flow in both directions. When energized, the poppet shifts to allow flow in either direction.

OPERASYON:

Enerjisi kesildiğinde, valf ② ile ① arasında akışa izin verir.

① 'den ②' ya akış ciddi şekilde bu modda kısıtlanmıştır.

Enerji verildiğinde, vananın poppet'i yuvasında kapanır ve ② ile flow arasındaki akışı engeller.

Kartuş, solenoid kuvvetini aştıktan sonra ② 'nın akmasına izin verecektir.

Operation of Manual Override Option

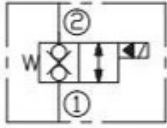
To override, push button in, twist counterclockwise 180° and release. In this position, the valve will remain open in a detented condition. To return to normal operation, push button in, twist clockwise 180° and release. Override will be detented in this position.

Manuel Geçersiz Kılma Seçeneğinin Çalışması :

Geçersiz kılmak için etkinleştirmek için düğmeye basın.

Normal valf işlevine geri dönmek için düğmeyi bırakın.

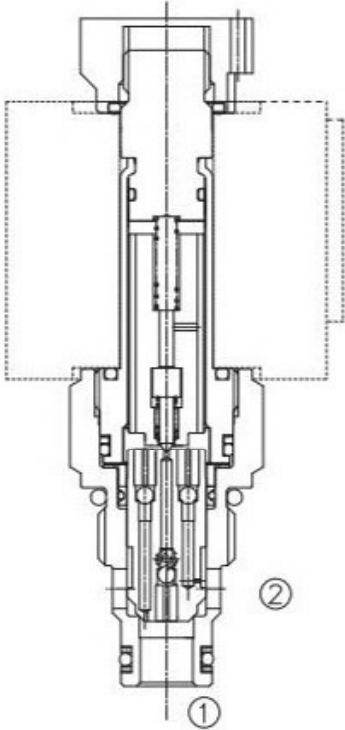
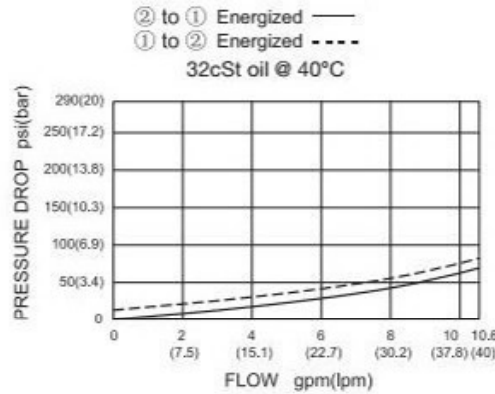
SYMBOL



SPECIFICATIONS

(Max. Operating Pressure):	350bar
(Flow):	See PRESSURE DROP VS.FLOW graph.
(Internal Leakage):	5drops/min. Max. at 350 bar
(Temperature):	-40°F to +212°F(-40°C to +100°C)
(Coil Duty Rating):	Continuous from 85% to 115% of nominal voltage
(Filtration):	See page N-1
(Fluids):	Mineral-based fluids with viscosities of 7.4 to 420 cSt.
(Cavity):	08-2, See page M-1
(Body Material):	Steel & Ductile iron rated to 350bar 350bar

PRESSURE DROP VS.FLOW



TO ORDER

LSV6 – 08 – 2 NC SP – * – * * – * *

1 2 3 4 5 6 7 8 9

1 LSV6= Solenoid Valve

2 08=08 Size

3 2= Flow Path

4 NC= Normally Closed

5 SP= Poppet

6 Blank= None
M= Manual Override

7 Voltage
1=12 VDC
2=24 VDC
3=110 VAC
4=220 VAC

8 Coil Connection
D= Double Lead
H= Hirschmann
ER= Deutsch Connector(Water-proof Coil)

9 Body Porting
Blank= None
6T=SAE 6
3G=G 3/8

K-1
Other Porting Is Available

INSTALLATION DIMENSIONS

Coil Must Be Installed With Letter Up

Unit=Millimeters

