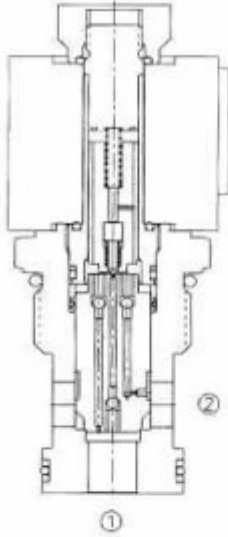


Normalde-Kapalı,İki-Yollu,İki-Konumlu,
Çift Yönlü Kartriç Solenoid Valf

LSV6-16S-2 NCSP LSV6-16-2 NCSP



Normally-Closed, Two -Way,
Two-Position, Bi-Directional
Cartridge Solenoid Valve

OPERATION

When de-energized, the valve blocks flow in both directions.
When energized, the poppet shifts to allow flow in either direction.

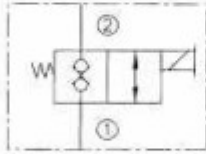
FEATURES

- Continuous-duty solenoid.
- Efficient wet-armature construction.
- Optional coil voltages and terminations.
- Manual override option.
- Compact size.
- Industry common cavity.
- High flow capacity.

ÖZELLİKLER

- Sürekli-çalışabilen bobin
- Etkili ıslak-armatür konstrüksiyon
- Seçmeli bobin voltajı ve sınırlama
- Üstün manuel kumada ayarları
- Kompakt boyut
- Endüstriyel standartlarda kavite
- Yüksek debi kapasitesi

SYMBOL



SPECIFICATIONS

Max. Operating Pressure : 350 Bar

Flow : See PRESSURE DROP VS.FLOW graph.

Internal Leakage : 5 drops/min. Max. at 350 Bar

Temperature : -30°F to +250°F(-35°C to +120°C)

Coil Rating : Continuous from 90% to 110% of rated voltage.

Recommended Filtration : Critical Application - ISO 16/12

: Non-Critical Application - ISO 19/15

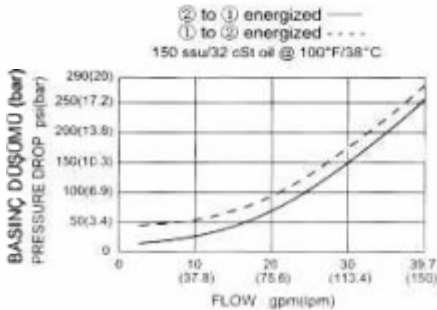
Fluids : Mineral-based fluids.

For other fluid compatibility, consult factory.

Cavity : 16S-2,see page 266 ,16-2,see page 266

Body Material : steel rated at 350 Bar.

PRESSURE DROP VS. FLOW



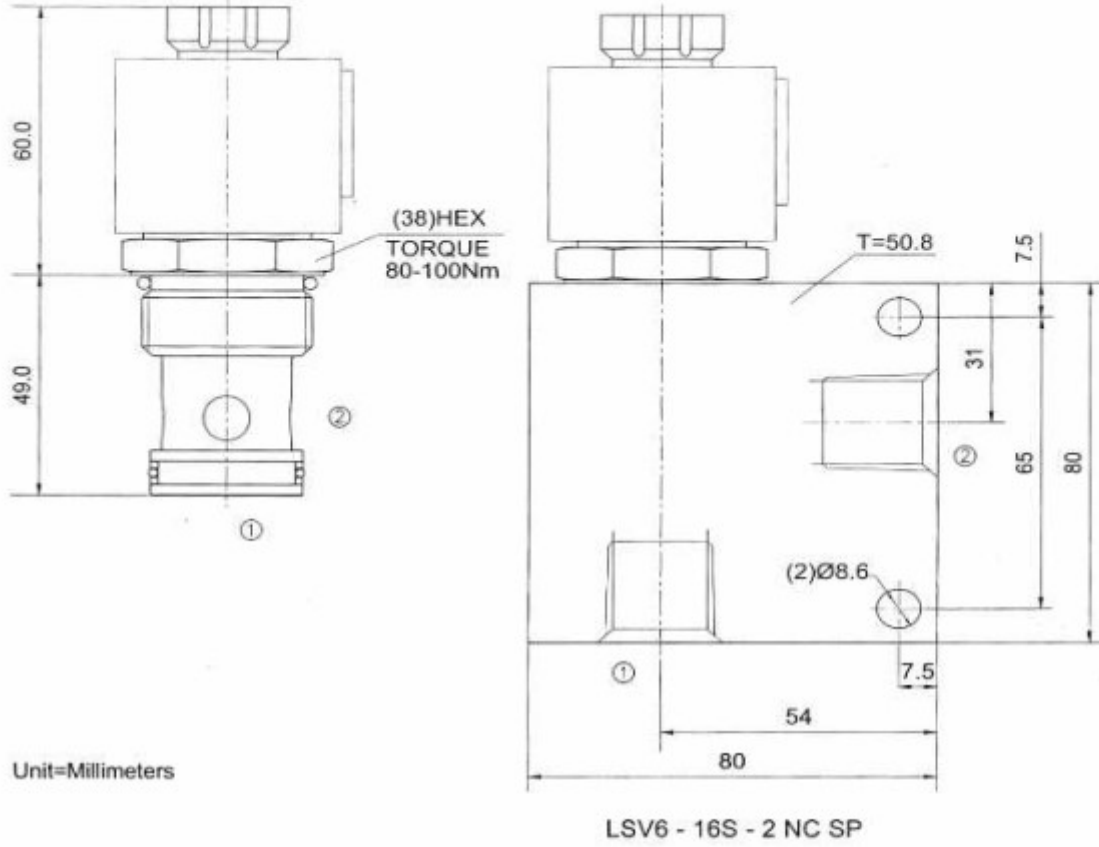
DEBI (gpm)

Hidrosam Hidropar Hidrolik Pnömatik Elektrik San.Tic. Ltd
Alaaddinbey mah. 623 sok. Şam 1 plaza B blok No:2/d Nilüfer/BURSA TURKEY

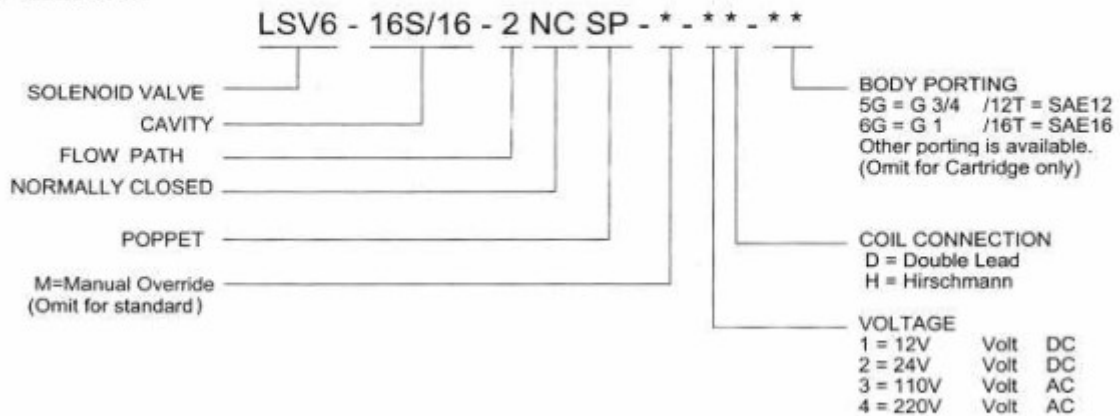
Tel:+90224 441 8877 Fax:+90224 441 0333

info@hidrosam.com www.hidrosam.com

YERLEŞTİRME ÖLÇÜLERİ INSTALLATION DIMENSIONS



TO ORDER



Hidrosam Hidropar Hidrolik Pnömatik Elektrik San.Tic. Ltd
Alaaddinbey mah. 623 sok. Şam 1 plaza B blok No:2/d Nilüfer/BURSA TURKEY
Tel:+90224 441 8877 Fax:+90224 441 0333

info@hidrosam.com www.hidrosam.com