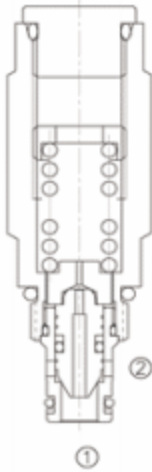


Sıkışmaya- Dayanıklı, Direk Hareketli Ayrı Bölge Kartriç Emniyet valfi

LTDRV - 08



Tamper-Resistant, Direct-Acting Differential Area Cartridge Relief Valve

OPERATION

The valve blocks flow from ② to ① until sufficient pressure is present at ② to force the poppet from its seat.

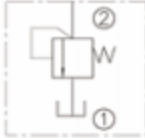
FEATURES

- Hardened poppet and cage for long life.
- Optional spring ranges to 221 bar .
- Smooth response to pressure surges.
- Industry common cavity.
- Compact size.

ÖZELLİKLER

- Uzun ömür için sertleştirilmiş yuva ve popet
- 221 bara kadar seçmeli yay aralığı
- Ani basınç yükselmelerinde sorunsuz tepki
- Endüstriyel standartlarda kavite
- Kompakt Boyut

SYMBOL



SPECIFICATIONS

Operating Pressure : 221 bar

Flow : See Flow Characteristic.

Internal Leakage: 5 drops/min.MAX.to 80% of nominal setting

Spring Range :

3.45 to 27.59 bar; preset 14Bar;

6.90 to 62.07 bar; preset 31Bar;

6.90 to 117.24 bar; preset 58Bar;

17.24 to 220.69 bar; preset 110Bar;

Temperature : -40 to 120°C

Filtration : Critical Application – ISO 16/12

Non-Critical Application – ISO 19/15

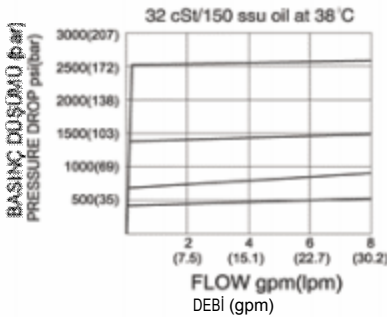
Fluids : Mineral-based fluids.

For other fluid compatibility consult factory.

Cavity : 08-2; See Page 264

Body Material : Anodized 6061T6 aluminum alloy rated at 207 Bar.

PRESSURE DROP VS. FLOW



Hidrosam Hidropar Hidrolik Pnömatik Elektrik San.Tic. Ltd

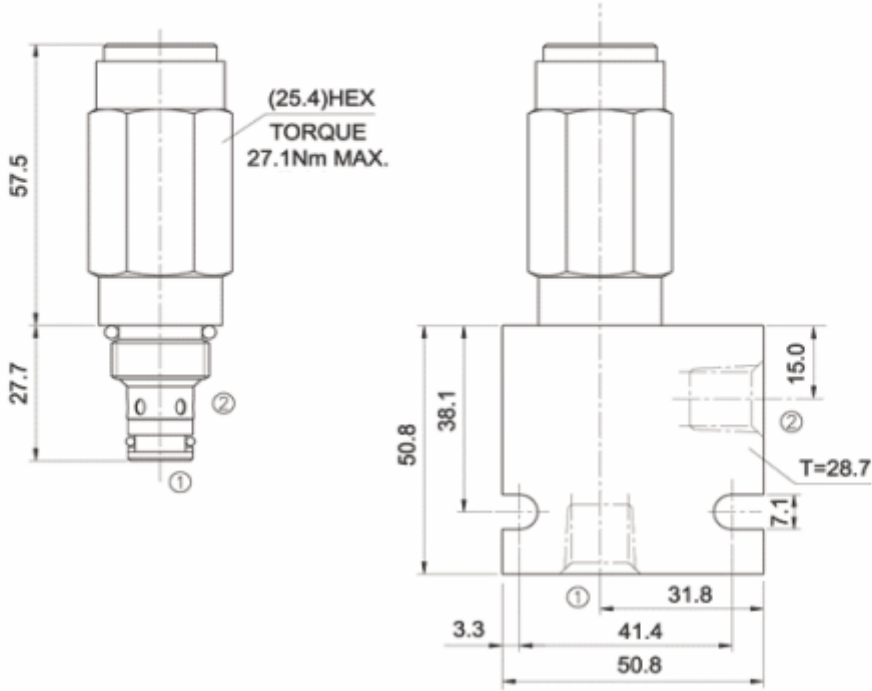
Alaaddinbey mah. 623 sok. Şam 1 plaza B blok No:2/d Nilüfer/BURSA TURKEY

Tel:+90224 441 8877 Fax:+90224 441 0333

info@hidrosam.com www.hidrosam.com

YERLEŞTİRME ÖLÇÜLERİ

INSTALLATION DIMENSIONS



Unit=Millimeters

TO ORDER

	LTDRV - 08 * * / ** - **		
<p>TAMPER-RESISTANT, DIRECT-ACTING DIFFERENTIAL AREA CARTRIDGE RELIEF VALVE</p>	<p>CAVITY</p>	<p>SETTING IN BAR EXAMPLE: 0160=160BAR (Omit for standard)</p>	<p>BODY PORTING 3N=3/8PTF 4T=SAE4 6T=SAE6 Other Porting is Available (Omit for Cartridge only)</p>
<p>Spring Range 4=50-400PSI(3.45-27.59BAR) 9=100-900PSI(6.90-62.07BAR) 17=100-1700PSI(6.90-117.24BAR) 32=250-3200PSI(17.24-220.69BAR)</p>	<p>PRESET:200PSI(14BAR) PRESET:450PSI(31BAR) PRESET:800PSI(58BAR) PRESET:1600PSI(110BAR)</p>		