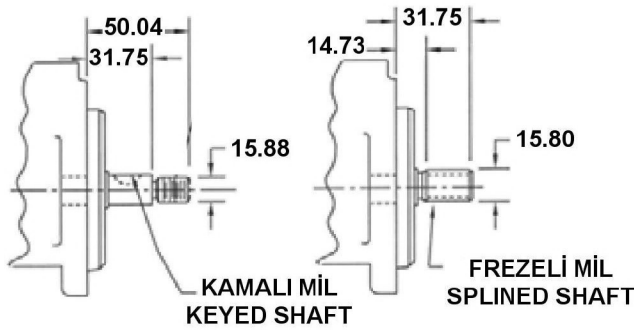


V10 KARTRİÇ PALETLİ POMPA / V10 CARTRIDGE VANE POMP

	Ölçü / Size	Debi / Flow	Mak. Basınç / Max.Pressure
V10	1	5 lt/dk	172 bar
	2	9 lt/dk	
	3	14 lt/dk	
	4	19 lt/dk	
	5	23 lt/dk	
	6	28 lt/dk	
	7	32 lt/dk	

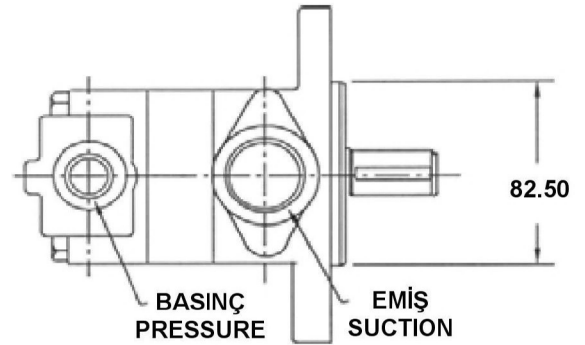
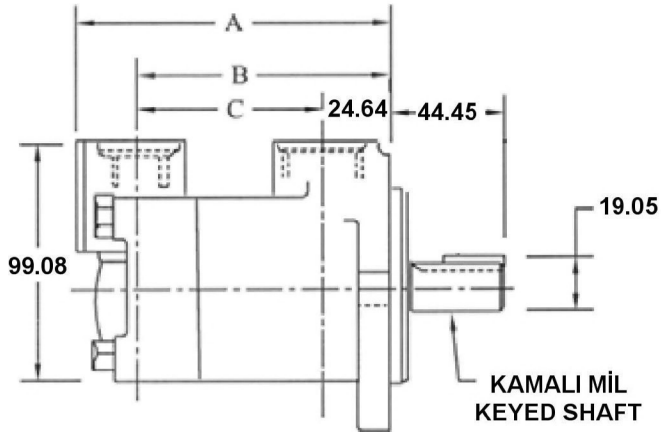
Teknik Ölçüler / Dimension

**Opsiyonel Mil Bağlantıları
Optional Shaft**



ÖLÇÜ SIZE	Ölçü / Dimension		
	A	B	C
1	115.57	91.95	67.31
2	115.57	91.95	67.31
3	115.57	91.95	67.31
4	121.92	98.30	73.66
5	123.19	98.30	73.66
6	127	103.33	78.74
7	127	103.33	78.74

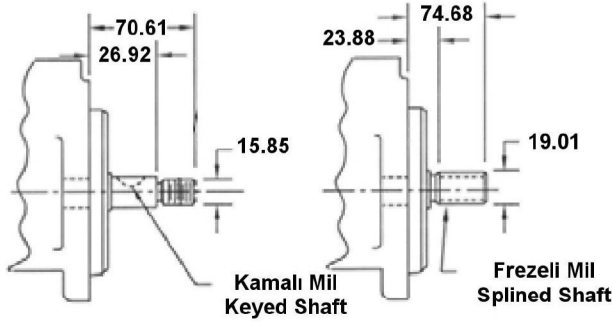
Ağırlık / Weight : 4,5 - 6,8 kg
Basınç Bağlantısı / Pressure : 1/2"
Emiş Bağlantısı / Suction : 1"



V20 KARTRİÇ PALETLİ POMPA / V20 CARTRIDGE VANE POMP

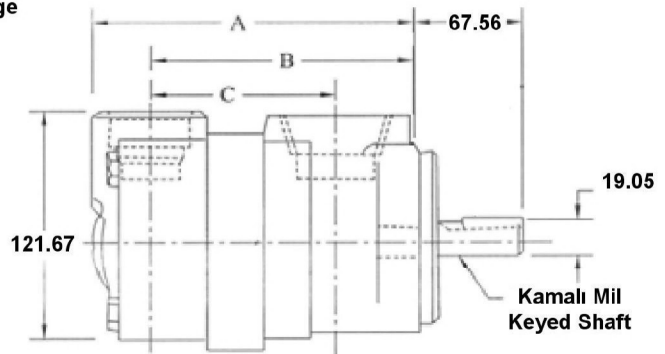
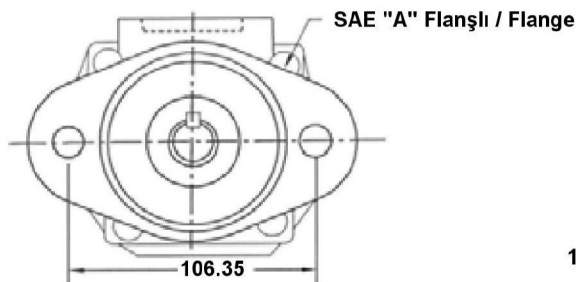
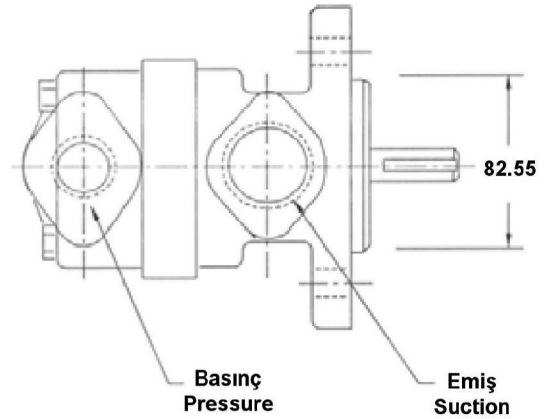
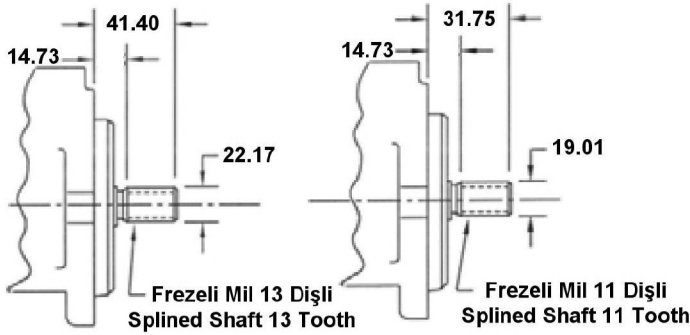
	Ölçü / Size	Debi / Flow	Ölçü / Size	Debi / Flow	Mak. Basınç / Max. Pressure
V20	5	23 lt/dk	10	46 lt/dk	172 bar
	6	28 lt/dk	11	51 lt/dk	
	7	32 lt/dk	12	56 lt/dk	
	8	37 lt/dk	13	60 lt/dk	
	9	42 lt/dk			

**Opsiyonel Mil Bağlantıları
Optional Shaft**



ÖLÇÜ SIZE	Ölçü / Dimension		
	A	B	C
6	125.22	102.11	71.12
7	131.57	108.46	77.47
8	131.57	108.46	77.47
9	131.57	108.46	77.47
11	136.65	113.54	82.55
12	140.21	117.09	86.11
13	140.21	117.09	86.11

Ağırlık / Weight : 7,2 - 8,2 kg
Basınç Bağlantısı / Pressure : 3/4"
Emiş Bağlantısı / Suction : (V20) 1-1/4"3/4"



20V– 25V– 35V– 45V KARTRİÇ PALETLİ POMPA / 20V– 25V– 35V– 45V CARTRIDGE VANE POMP

	Ölçü / Size	Debi / Flow	Mak. Basınç / Max.Pressure	Ölçü / Size	Debi / Flow	Mak. Basınç / Max.Pressure
20V	5	23 lt/dk	206 bar	11	51 lt/dk	206 bar
	8	37 lt/dk		12	56 lt/dk	159 bar
	9	42 lt/dk	210 bar	14	65 lt/dk	138 bar

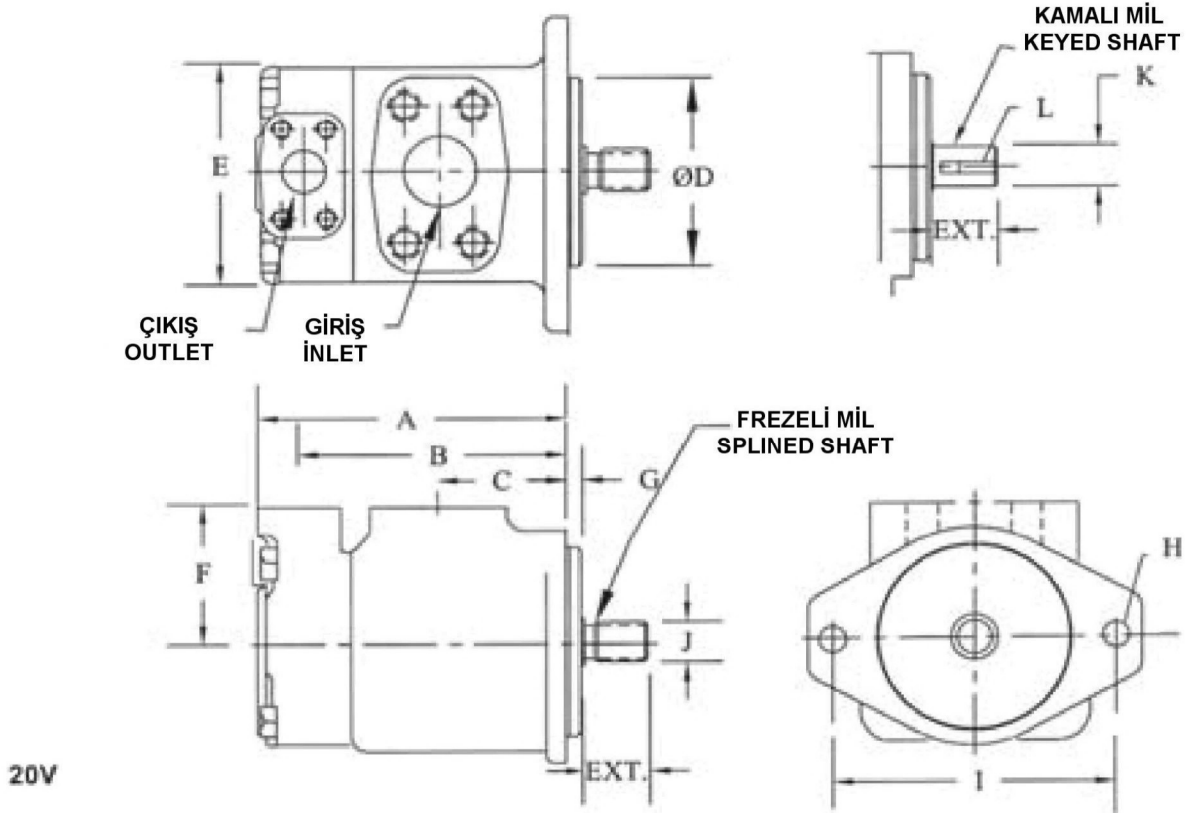
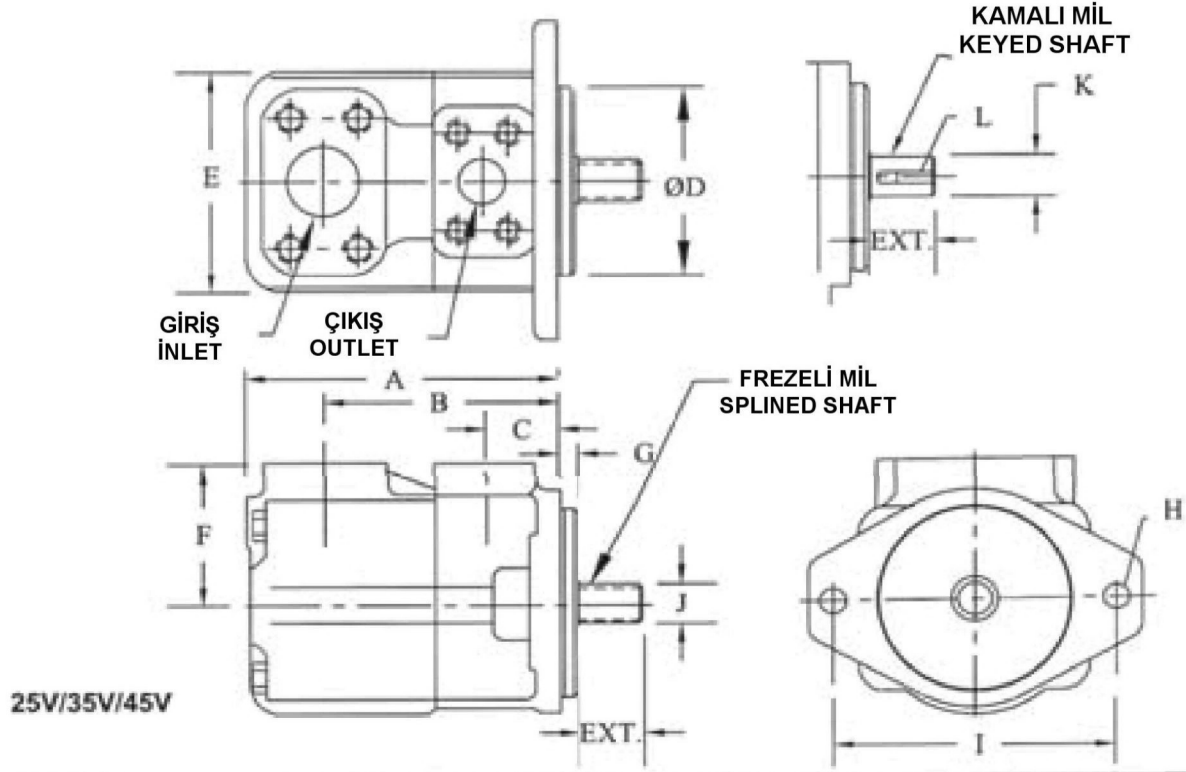
	Ölçü / Size	Debi / Flow	Mak. Basınç / Max.Pressure	Ölçü / Size	Debi / Flow	Mak. Basınç / Max.Pressure
25V	12	56 lt/dk	206 bar	19	88 lt/dk	159 bar
	14	65 lt/dk		21	98 lt/dk	138 bar
	17	42 lt/dk				

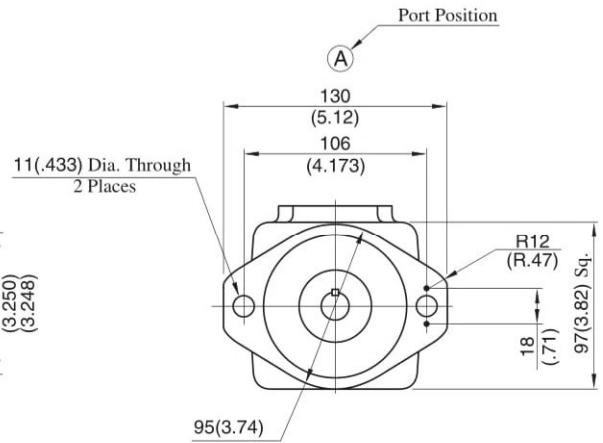
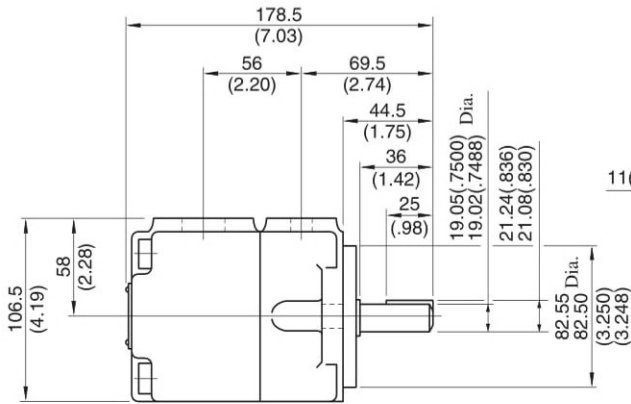
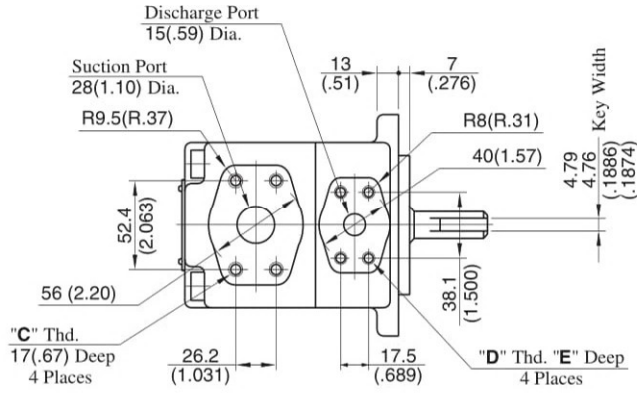
	Ölçü / Size	Debi / Flow	Mak. Basınç / Max.Pressure	Ölçü / Size	Debi / Flow	Mak. Basınç / Max.Pressure
35V	21	98 lt/dk	206 bar	35	163 lt/dk	206 bar
	25	116 lt/dk		38	177 lt/dk	
	30	139 lt/dk				

	Ölçü / Size	Debi / Flow	Mak. Basınç / Max.Pressure	Ölçü / Size	Debi / Flow	Mak. Basınç / Max.Pressure
45V	42	195 lt/dk	172 bar	57	265 lt/dk	172 bar
	47	219 lt/dk		60	279 lt/dk	
	50	232 lt/dk				

	20 Series	25 Series	30 Series	35 Series	45 Series
A	155.45	162.05	176.78	184.91	215.9
B	132.59	120.65	123.19	125.48	152.91
C	63.5	38.1	38.1	38.1	42.93
D	Ø 101.6 SAE 'B'	Ø 101.6 SAE 'B'	Ø 101.6 SAE 'B'	Ø 127 SAE 'B'	Ø 127 SAE 'B'
E	101.6	117.35	117.35	139.95	161.54
F	76.2	76.2	76.2	82.56	93.73
G	9.53	9.53	9.53	9.53	12.7
H	14.22	14.22	14.22	17.48	17.48
I	146.05	146.05	146.05	180.98	180.98
J	Ø22.23 13th 44.45 EXT	Ø22.23 13th 44.45 EXT	Ø22.23 13th 44.45 EXT	Ø31.75 14th 58.67 EXT	Ø31.75 14th 61.98 EXT
K	Ø22.23 54.10 EXT	Ø22.23 58.67 EXT	Ø22.23 58.67 EXT	Ø31.75 73.15 EXT	Ø38.07
L	KEY 0.187	KEY 0.187	KEY 0.187	KEY 0.3125	KEY 0.3125
Inlet	1-1/2"	1-1/2"	1-1/2"	2"	3"
Outlet	3/4"	1"	1-1/4"	1-1/4"	1-1/2"
Weight	14.5 kg	14.5 kg	16.3 kg	22.7 kg	34 kg

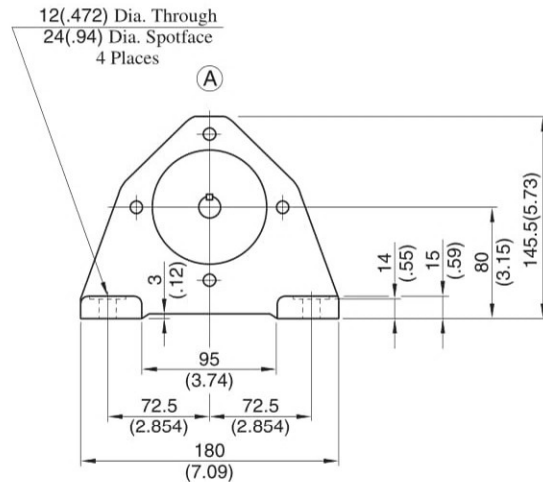
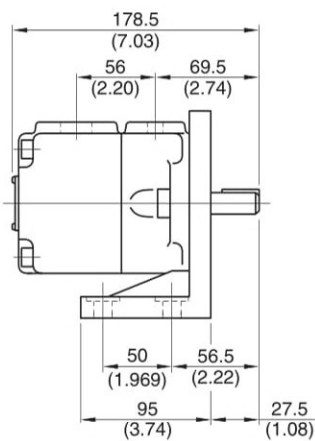
Ø31.75
61.98 EXT



Flange Mtg.: PV2R1-*-F-RAA-42/4290


MODEL NUMARASI	C Thd.	D Thd	E mm (inches)
PV2R1-*-F-RAA-42	M10	M8	14 (.55)
PV2R1-*-F-RAA-4290	3/8-16 UNC	5/16-18 UNC	16 (.63)

DIMENSIONS IN
MILLIMETRES (INCHES)

Foot Mtg.: PV2R1-*-L-RAA-42/4290


For other dimensions, refer to "Flange Mtg.".

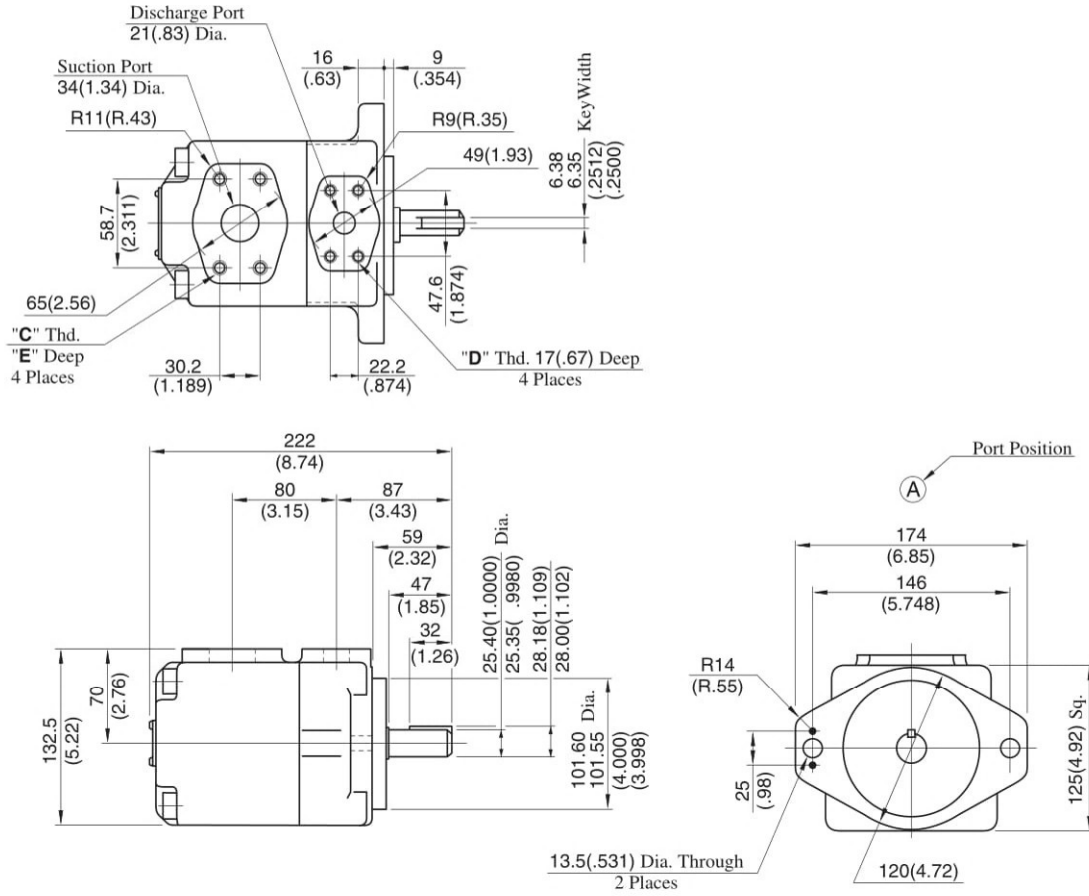
"PV2R" Series Single Vane Pumps

::: Hidrosam Hidropar Hidrolik Pnömatik Elektronik San. ve Tic. Ltd. Şti. :::

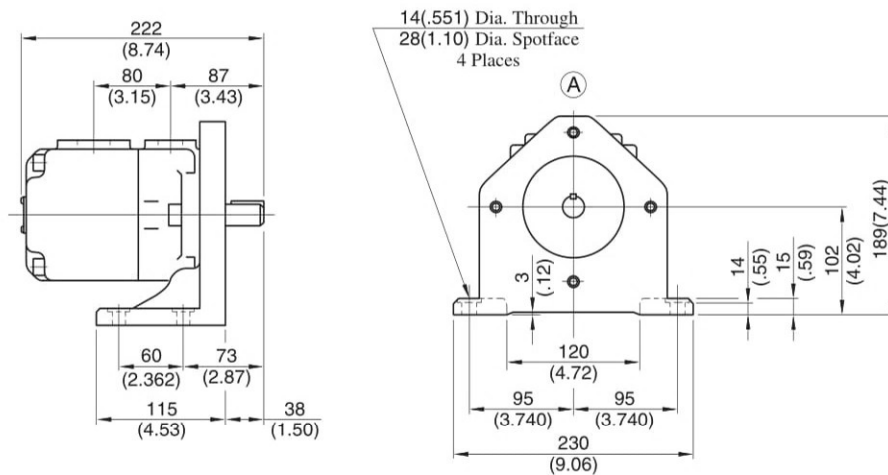
Alaaddinbey mah. 623 sok. Sam 1 plaza Bblok no:2/D Nilüfer / BURSA / TÜRKİYE

Tel : 90-224-441 88 77 Pbx Fax : 90-224-441 03 33 www.hidrosam.com info@hidrosam.com



Flange Mtg.: PV2R2-*-F-RAA-41/4190


MODEL NUMARASI	C Thd.	D Thd	E mm (inches)
PV2R2-*-F-RAA-41	M10	M10	19 (.75)
PV2R2-*-F-RAA-4190	7/16-14 UNC	7/16-14 UNC	20 (.79)

DIMENSIONS IN MILLIMETRES (INCHES)
Foot Mtg.: PV2R2-*-L-RAA-41/4190


For other dimensions, refer to "Flange Mtg.".

"PV2R" Series Single Vane Pumps

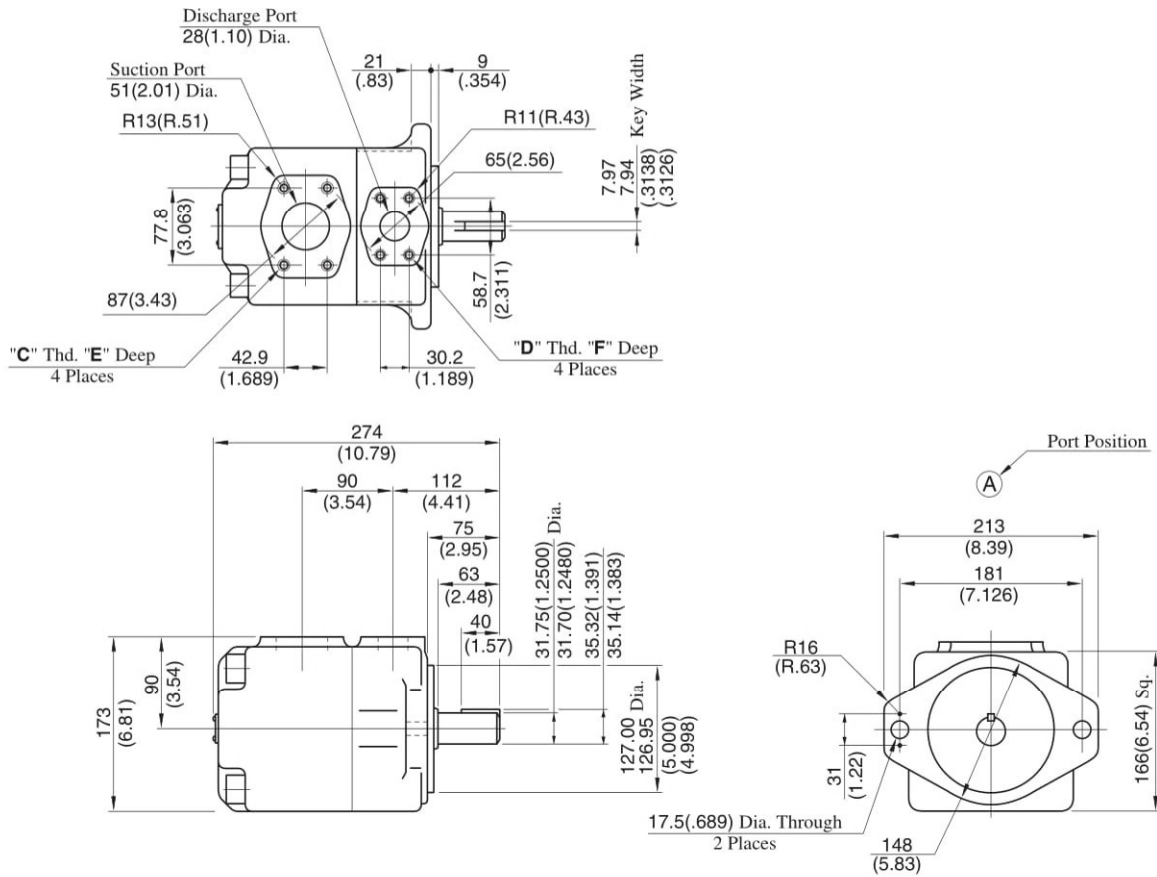
::: Hidrosam Hidropar Hidrolik Pnömatik Elektronik San. ve Tic. Ltd. Şti. :::

Alaaddinbey mah. 623 sok. Sam 1 plaza Bblok no:2/D Nilüfer / BURSA / TÜRKİYE

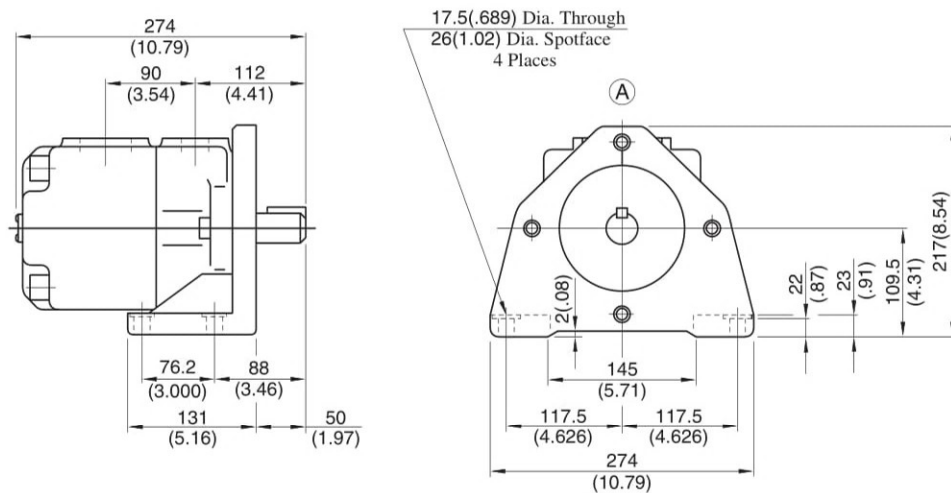
Tcl : 90-224-441 88 77 Pbx Fax : 90-224-441 03 33 www.hidrosam.com info@hidrosam.com



PV2R SERİSİ POMPA

Flange Mtg.: PV2R3-*-F-RAA-31/3190


MODEL NUMARASI	C Thd	D Thd	Dimensions mm (Inches)	
			E	F
PV2R3-*-F-RAA-31	M12	M10	19 (.75)	19 (.75)
PV2R3-*-F-RAA-3190	1/2-13 UNC	7/16-14 UNC	21 (.83)	20 (.79)

DIMENSIONS IN MILLIMETRES (INCHES)
Foot Mtg.: PV2R3-*-L-RAA-31/3190


For other dimensions, refer to "Flange Mtg.".

"PV2R" Series Single Vane Pumps

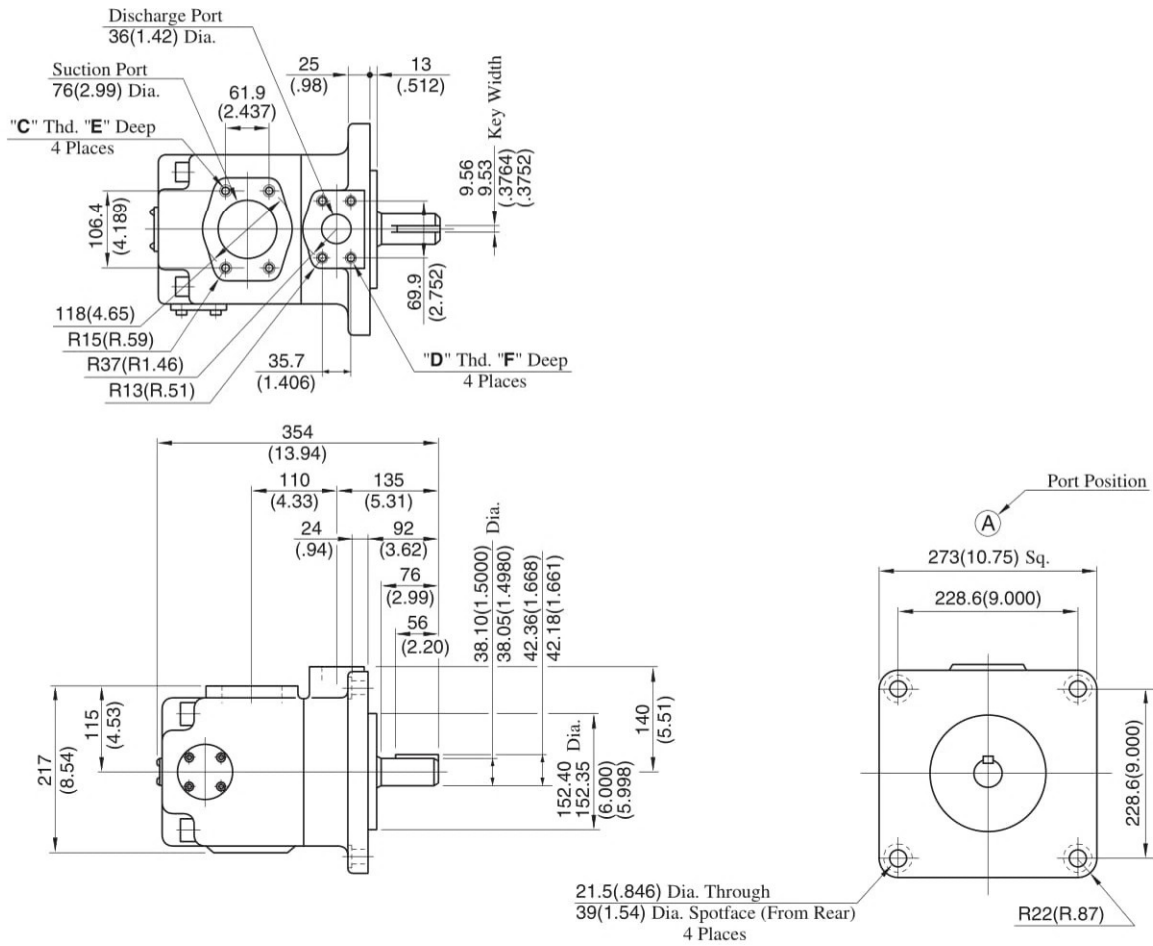
::: Hidrosam Hidropar Hidrolik Pnömatik Elektronik San. ve Tic. Ltd. Şti. :::

Alaaddinbey mah. 623 sok. Sam 1 plaza Bblok no:2/D Nilüfer / BURSA / TÜRKİYE

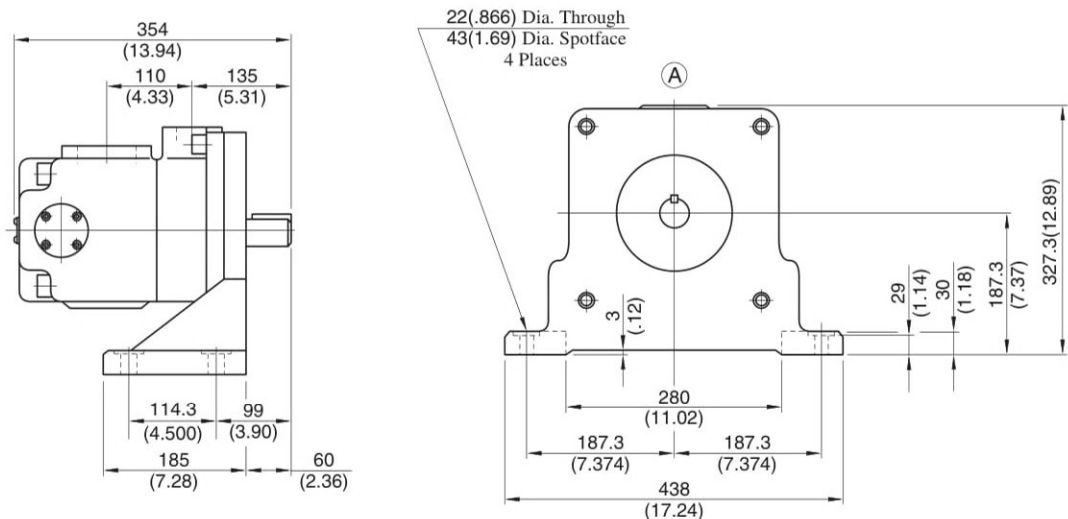
Tel : 90-224-441 88 77 Pbx Fax : 90-224-441 03 33 www.hidrosam.com info@hidrosam.com



PV2R SERİSİ POMPA

Flange Mtg.: PV2R4-*-F-RAA-30/3090


MODEL NUMARASI	C Thd	D Thd	Dimensions mm (Inches)	
			E	F
PV2R4-*-F-RAA-30	M16	M12	19 (.75)	19 (.75)
PV2R4-*-F-RAA-3090	5/8-11 UNC	1/2-13 UNC	21 (.83)	21 (.83)

DIMENSIONS IN MILLIMETRES (INCHES)
Foot Mtg.: PV2R4-*-L-RAA-30/3090


For other dimensions, refer to "Flange Mtg.".

"PV2R" Series Single Vane Pumps

::: Hidrosam Hidropar Hidrolik Pnömatik Elektronik San. ve Tic. Ltd. Şti. :::

Alaaddinbey mah. 623 sok. Sam 1 plaza Bblok no:2/D Nilüfer / BURSA / TÜRKİYE

Tel : 90-224-441 88 77 Pbx Fax : 90-224-441 03 33 www.hidrosam.com info@hidrosam.com



PV2R SERİSİ POMPA