

Proportional amplifier VT-2000 is apply for the control of proportional directional valve and proportional flow valve

VT-2000 amplifier is a proportional power amplifier

It is consist of :

- Voltage regulator
- Differential motion and potential device input circuit optional
- Controllable constant current generator
- Ramp generator
- 200Hz Oscillator
- Separately adjustable for "up" and "down" ramps

The holder matched with

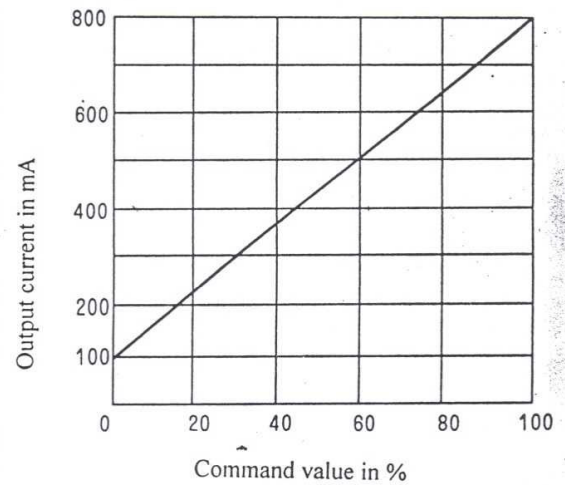
VT-3002 RC 29916

VT-1516 RC29915

VT-1700 RC29917

Technical Data	
Weight	Approx.0.15kg
Supply voltage	
Full bridge recifier	24V <sub>eff</sub> ± 10%
Three phase bridge recifier	24V-35V <sub>eff</sub>
Power requirement	30VA
Fuse wire	1A
Control Voltage	Differential motion input 0-10V Potential device input 0-9V
The min.load resistance control voltage	500Ω
Max. out put current	800mA
Max. load resistance	30Ω
Pilot current	100mA
Oscillation current	200mAss
the frequency of oscillation current	200HZ
Ambient temperature	0 up to 45°C

Output characteristic curves



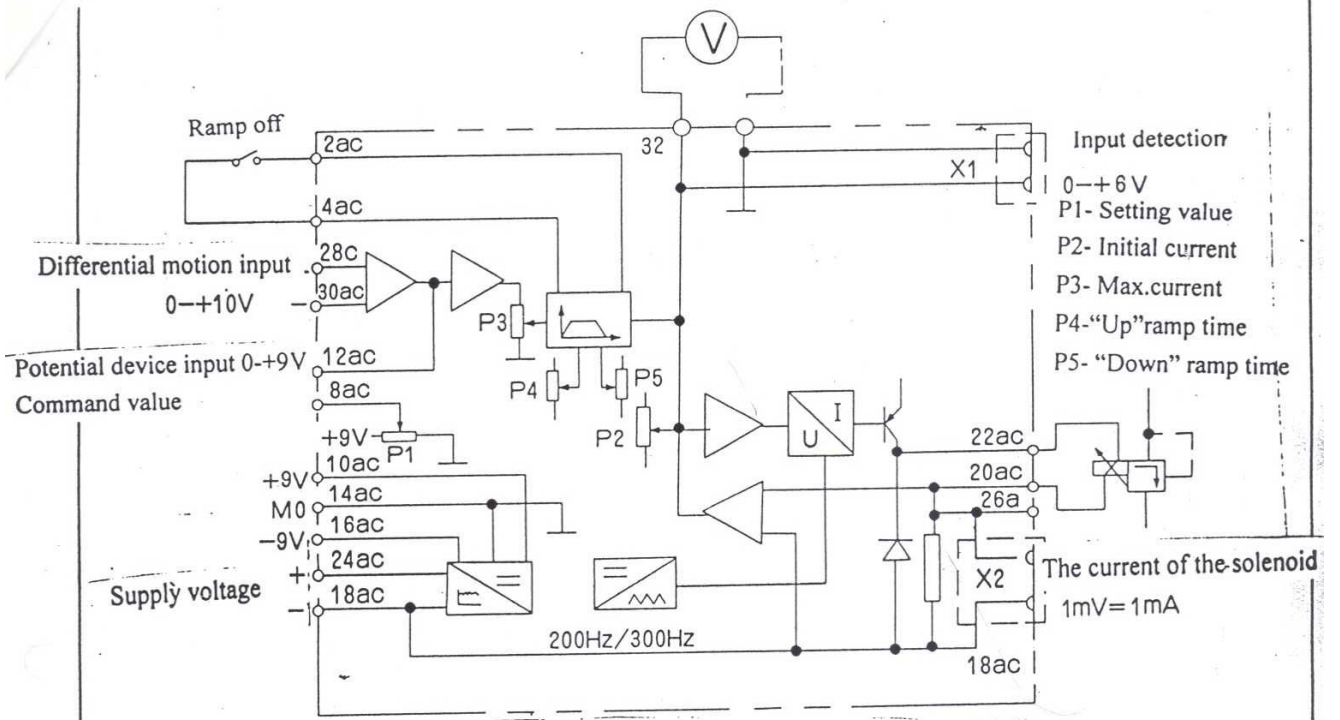
Ordering code

VT-2000 4X \*

Bare terminal = BK  
32 needle plug as per DIN 41612 = BS  
(Apply for Euro holder)

Further details in plain text ]

4X= 40-49 series  
The mounting dimension remains unchanged.



The connect diagram for amplifier VT2000BS/BK40

- The amplifier card may only be plugged when disconnected from the power supply!
- The wiring diagram of the proportional amplifier VT-2000BS/BK40
- The measurement zero (MO) must therefore not be connected with the 0V operating voltage!
- Be measured with moving coil type meter setting
- MO can not be connect to voltage OV
- The distance to aerial lines, radio sources and radar equipment must be at least 1 meter.
- Always shield command value lines; leaving the shield open on one end, connect the other to ground on the card side. If no system ground is available, connect 0V operating voltage!
- Never lay solenoid and signal lines near power cables!

