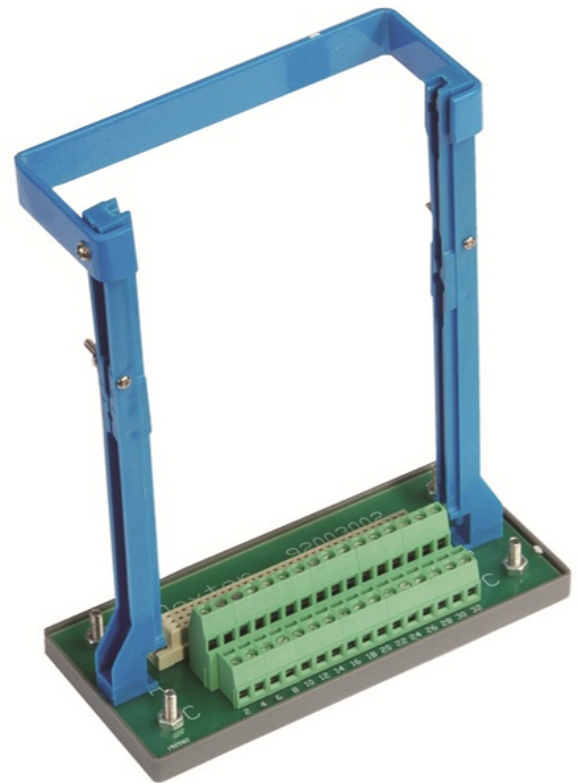


## Card Holder Type VT 3002

Series 2X



Type VT 3002-2X/48...

### Table of contents

Contents	Page
Features	1
Ordering code	1
Technical data	2
Assembly instructions	2
Unit dimensions	3

### Features

- Card holder VT 3002 enables the simple installation and wiring of separate electronic cards in Eurocard format, for example in switch cabinets
- Screwing or clipping onto DIN-rack possible
- Vertical mounting onto DIN-rack possible with additional adaptor (in delivery included)
- Solid design
- Card locking and releasing with lever operation
- Connection via terminal strip

#### Power supply:

- Type VT-NE30-1X, see RE 29 929
- Compact power supply unit 115/230 VAC → 24 VDC, 70 VA

### Bestellangaben

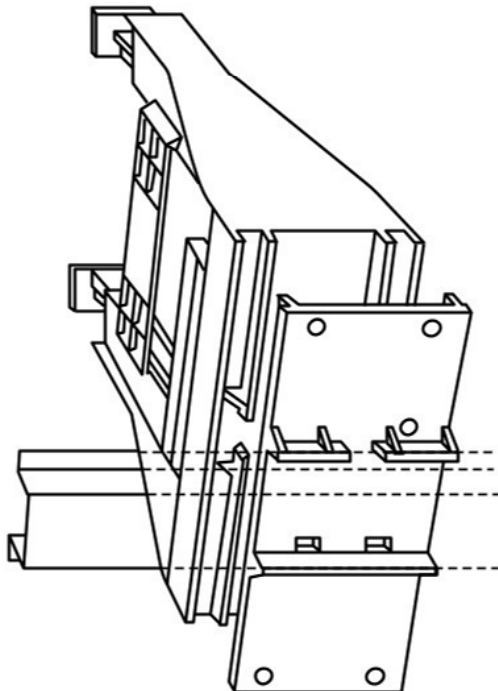
<b>VT 3002 – 2X/</b>		<b>*</b>
Card holder		Further details in clear text
Series 20 to 29 (20 to 29: externally interchangeable)	<b>= 2X</b>	<b>32 =</b> 32-pin spring contact strip, type D <b>48 =</b> 48-pin spring contact strip, type F <b>G64 =</b> 64-pin spring contact strip, type G

## Technical data (For applications outside these parameters, please consult us!)

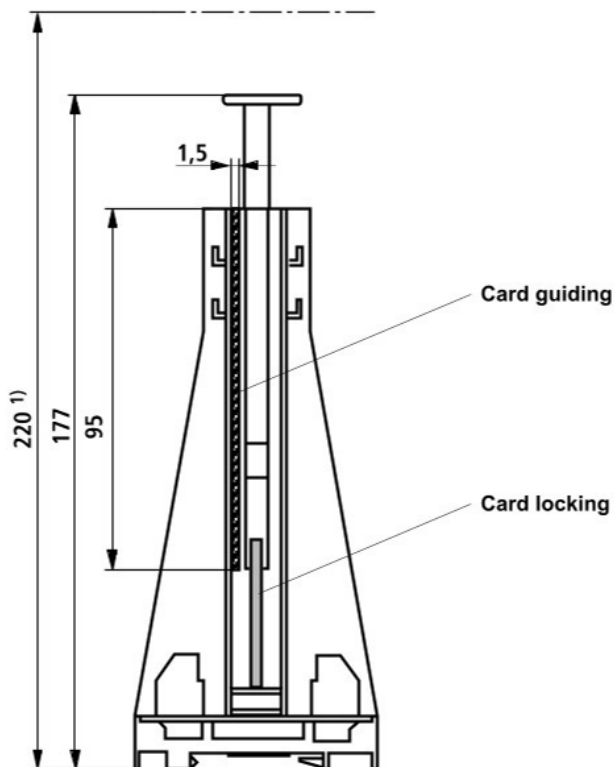
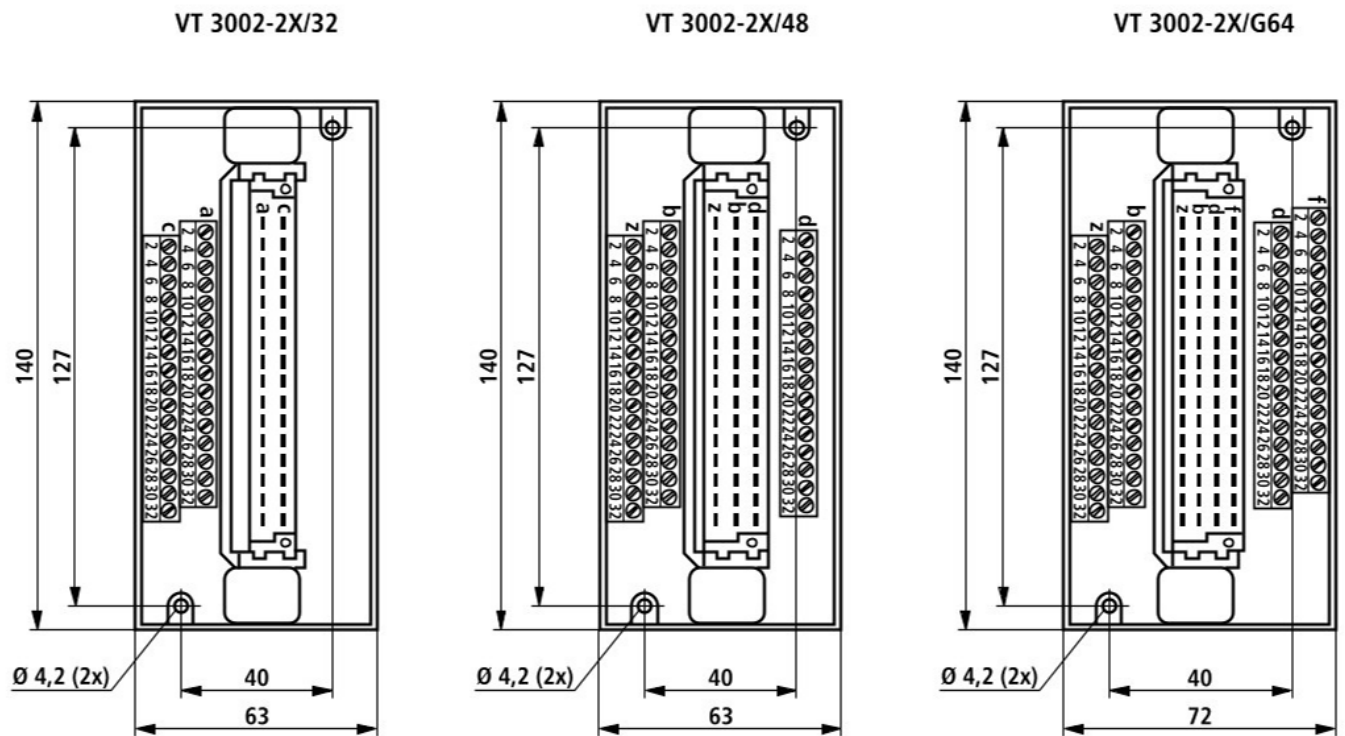
Clamp voltage to VDE 0110 C	$U$	max. 125 VAC
Current load	$I$	max. 4 A
Connection cross section	$A$	max. 4 mm <sup>2</sup>
Connection type: – VT 3002-2X/32 – VT 3002-2X/48 – VT 3002-2X/G64		32-pin spring contact strip, type D, DIN 41 612 48-pin spring contact strip, type F, DIN 41 612 64-pin spring contact strip, type G, DIN 41 612
Terminal connections: – VT 3002-2X/32 – VT 3002-2X/48 – VT 3002-2X/G64		even-numbered, series a/c even-numbered, series d/b/z even-numbered, series f/d/b/z
Permissible ambient temperature range	$\vartheta$	– 20 to + 70 °C
Weight	$m$	0,5 kg

## Assembly instructions

- Push the yellow lever down and insert card completely. Only after renewed operation of the detent levers the card can be unlocked and released.
- In order to connect the lines the support rail between the two card guide rails can be removed or be detented on the other side.



Can be also installed 90° from the existing position by use of an additional adaptor (in delivery included).



<sup>1)</sup> Dimension with carrier rail and Euro card 100 x 160 mm