

Features:

- Sandwich plate design



Functional description,section

Pressure reducing valves type ZDR 6 DP0...40B/40YM are pressure reducing valves of sandwich plate design. It is used to reduce the system pressure.

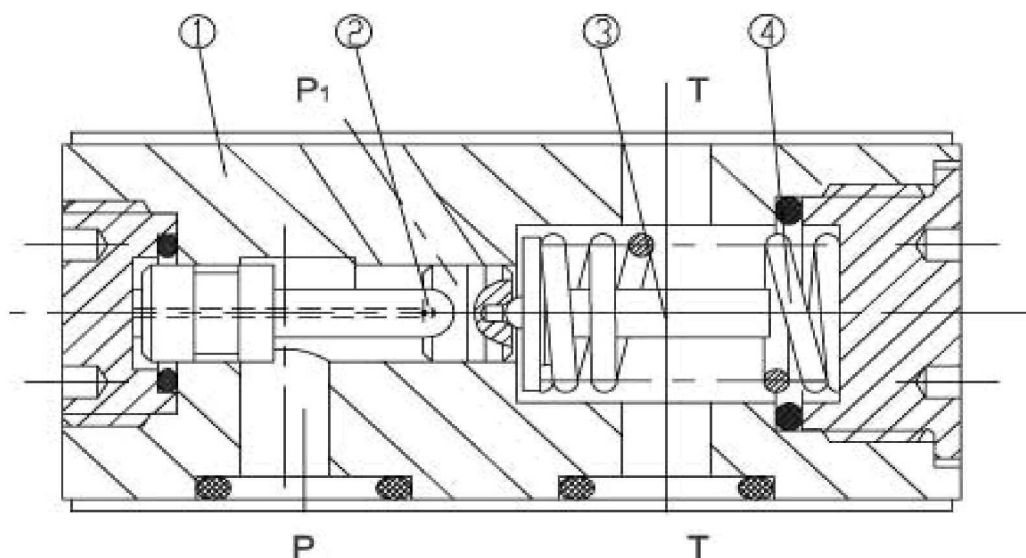
The pressure reducing basically valve consists of the housing (1), the control spool (2), a compression spring seating (3) and a compression spring (4).

At rest, the valve is normally open, and fluid can flow unhindered from port P to port P1. The pressure in port P1 is at the same time present at the spool area opposite to the compression spring (4). When the pres-

sure in port P1 exceeds the pressure level set at the compression spring (4) the control spool (2) moves into the control position against the compression spring (4) and holds the set pressure in port P1 constant.

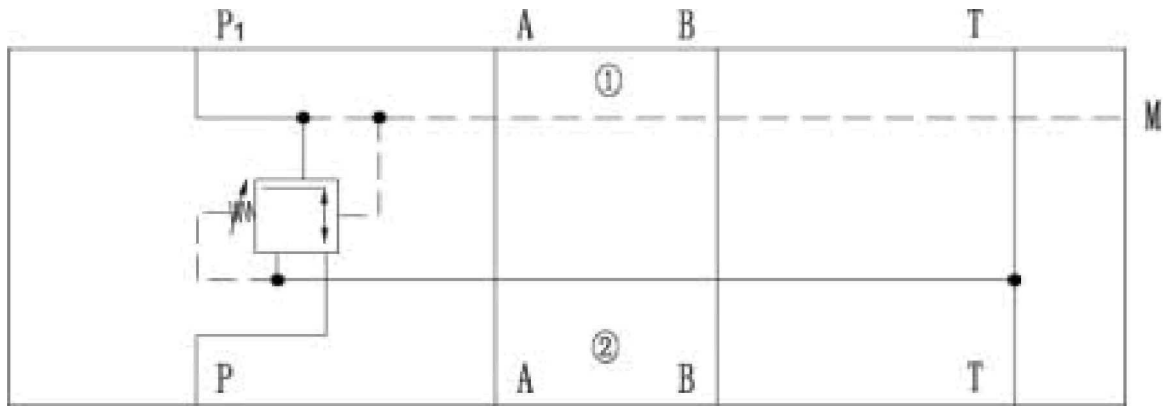
If the pressure in port P1 rises still further due to external forces, the control spool (2) is moved still further towards the compression spring (4).

Sufficient fluid then flows to tank to prevent any further rise in pressure. The spring chamber is always drained to tank externally via drilling to port T (Y).



Symbols (① =valve side, ② =subplate side)

ZDR6DPO...-40B/...YM...



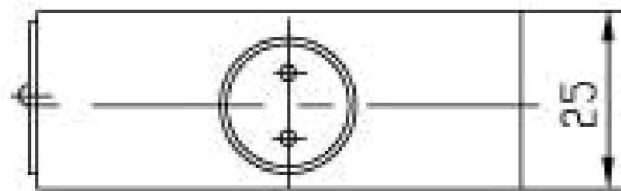
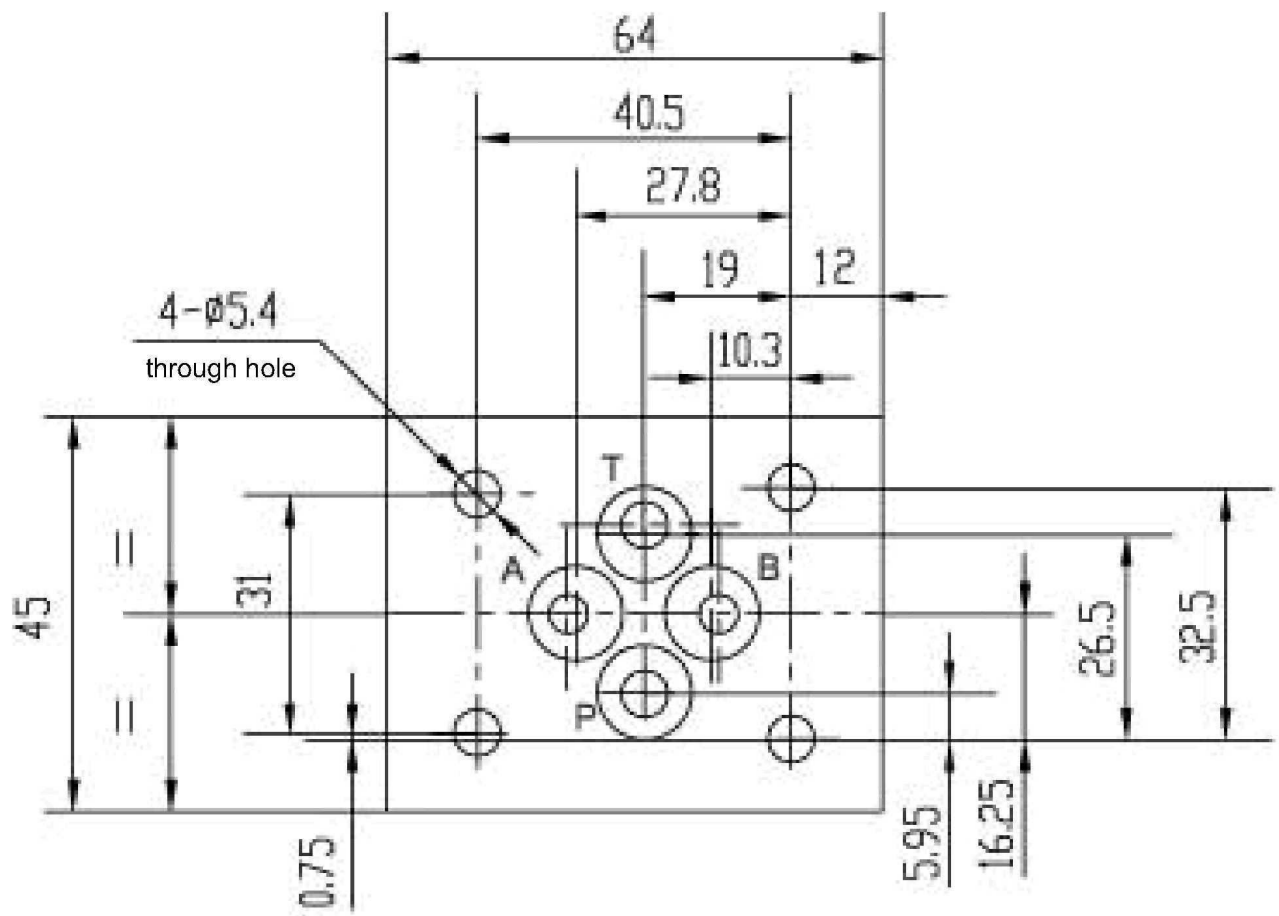
Ordering details

Z DR 6 D P O -40 B/ 40 Y M *

Sandwich plate design = Z														Further details in clear text
Pressure reducing valve = DR														No code. = mineral oils V = phosphate ester
Nominal Size 6 = 6														M = without check valve
Direct operated = D														Y = Pilot oil feed internal, drain external
Pressure reduction in port P1 = P														40 = max. secondary pressure 4 MPa
Outlet pressure fixed = O														
Series 40 to 49 = 40 (40 to 49 = unchanged installation and connection dimensions)														

Technical data (For applications outside these parameters, please consult us!)

Pressure fluid	Mineral oil (for NBR seal) or phosphate ester (for FPM seal)
Pressure fluid - temperature range (°C)	-30 to +80
Viscosity range (mm ² /s)	10 to 800
Degree of fluid contamination	recommend a filter with a minimum retention rate of $\beta_{10} \geq 75$
Max. operating pressure Port P (MPa)	up to 30
Secondary pressure (output) (MPa)	up to 4
Back pressure Ports T (Y) (MPa)	up to 16
Max. flow (L/min)	up to 7



NOTICE

1. The fluid must be filtered. Minimum filter fineness is 20 μm .
2. The tank must be sealing up and an air filter must be installed on air entrance.
3. Products without subplate when leaving factory, if need them, please ording specially.
4. Vavle fixing screws must be high intensity level (class 10.9). Please select and use them according to the parameter listed in the sample book.
5. Roughness of surface linked with the valve is required to $0.8 \sqrt{R}$.
6. Surface finish of mating piece is required to 0.01/100mm.